

BUNN® *INTERNATIONAL*

Easy Clear® Hot or Cold Water Quality Filtration System

ITEM# _____

PROJECT _____

DATE _____



Model EDSS-11-T200F
Water Quality System

Features

In-Line (EDSS-11-T200F) Hot Water Quality Filtration Systems

- Designed for BUNN liquid coffee machines supplied with hot water.
- Provides 2,500 gallons of superior sediment, taste/odor and chlorine reduction @ 2 gpm.
- 5 micron graded density filtration for long life.
- Perfectly sized to ensure quality coffee and long-term performance.
- Stainless steel housings assure reliable performance in high temperature or pressure applications.
- In-line units have 316 stainless steel heads with 304 stainless steel housings, rated to 300 psi (2,069 kPa) for durability.
- Hot and cold water applications*
- Rigid construction of the stainless steel housing provides durability and withstands extreme water hammer.

For current specification sheets and other information, go to www.bunn.com.

*Tested for hot water applications up to 200° F (93° C).

Related Products

Warranty: BUNN warrants the Easy Clear® hardware (excluding cartridges) to be free from defects in materials and workmanship for 1 year from the date of installation. See service manual for complete warranty statement.

EASY CLEAR®

System Tested and Certified by NSF International against ANSI/NSF Standard 42 for the reduction of sediment, taste/odor, and chlorine.

| Model | Agency Listing | International Model | Agency Listing |
|---------------|-----------------------|----------------------------|-----------------------|
| EDSS-11-T200F | | | |

Patents Apply

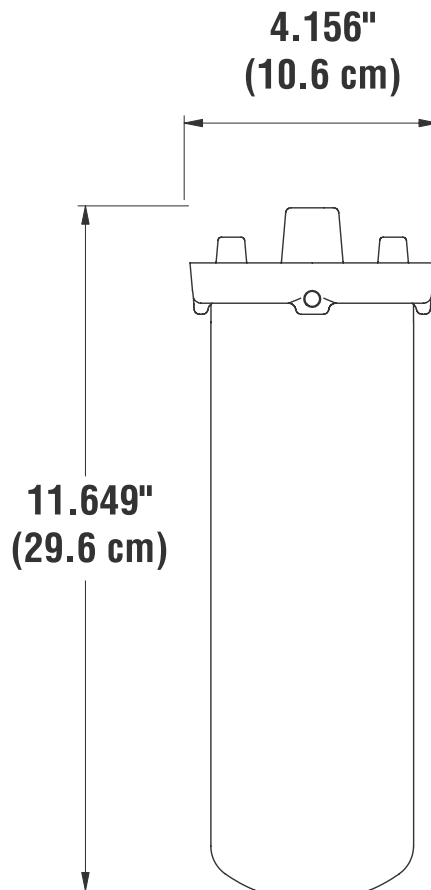
5/05

F5

Dimensions & Specifications

| Model | Product # | Flow Rate & Capacity | Replaces | Chlorine | Taste | Scale | Sediment |
|-----------------------|------------|----------------------|----------|----------|-------|-------|----------|
| Systems | | | | | | | |
| EDSS-11-T200F (1) | 30370.1000 | 2 gpm/2,500 gals. | n/a | • | • | | • |
| EDSS-11-T200-1 (4/cs) | 30370.0000 | 2 gpm/2,500 gals. | | | | | |
| Cartridge Only | | | | | | | |
| ED-T200F-1 (1) | 30370.1001 | 2 gpm/2,500 gals. | n/a | • | • | | • |
| ED-T200F-1 (6/cs) | 30370.0001 | 2 gpm/2,500 gals. | | | | | |

Note: Connections to be either 3/4" NPT horizontal or 3/8" NPT vertical.



EDSS-11-T200F