

Portable Servers and Warmers for Satellite Brewers

Features

Portable Servers

- Models available with capacities up to 1 or 1½ gallons (3.8, 5.7 litres).
- Easily transported portable servers for remote service.
- Patented Safety-Fresh® brew-through lid with vapor seal and spill protection GPR servers.

Warmers

- Models available to accommodate 1 or 1½ gallon (3.8, 5.7 litres) servers.
- Adjustable legs.



5.7L Capacity GPR w/RWS1

(Server and Warmer sold separately)
Dimensions: 18.1" H x 8.5" W x 12.7" D
(46.0cm H x 21.6cm W x 32.3cm D)



3.8L Capacity GPR w/RWS1

(Server and Warmer sold separately)
Dimensions: 14" H x 8.5" W x 12.7" D
(35.6cm H x 21.6cm W x 32.2cm D)

For current specification sheets and other information, go to www.bunn.com.

International models may vary in appearance.

Related Products

One Position Drip Tray

For use with RWS1

Product No. : 20213.0103

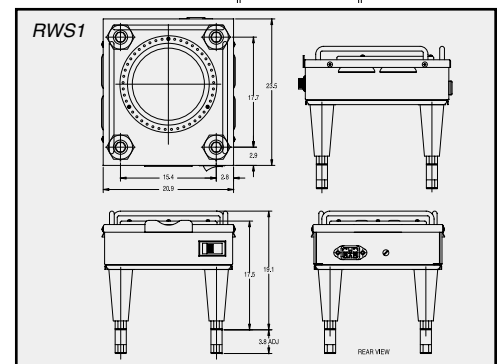
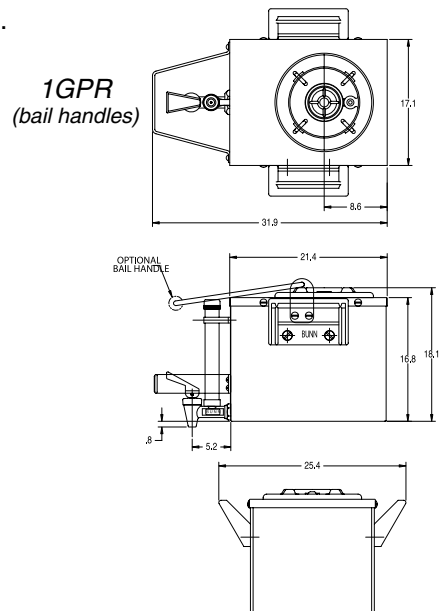
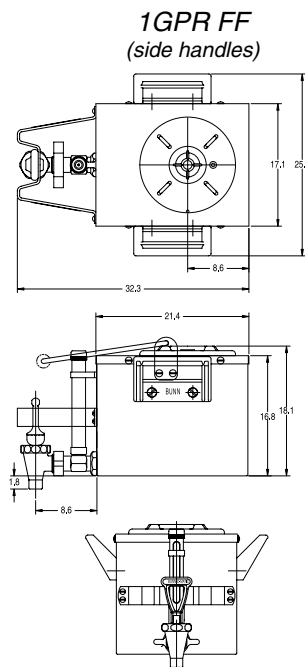
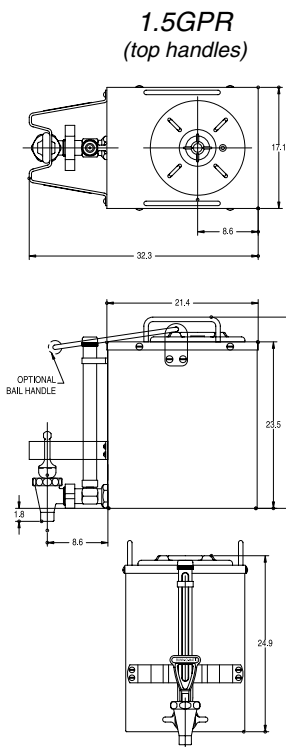


Dimensions & Specifications

Model	Product #	Capacity	Cubic Measure	Shipping Weight	Cord Attached
1GPR (bail handle)	12487.0001	1 gallon (3.8L)	1.0 ft ³ (.03 m ³)	8.5 lbs. (3.9 kg)	N/A
1GPR (side handles)	12487.0003	1 gallon (3.8L)	1.0 ft ³ (.03 m ³)	8.5 lbs. (3.9 kg)	N/A
1GPR-FF (bail handle, fast flow faucet)	12487.0005	1 gallon (3.8L)	1.0 ft ³ (.03 m ³)	9 lbs. (4.1 kg)	N/A
1.5GPR-FF (bail handle, fast flow faucet)	20950.0002	1½ gallons (5.8L)	1.0 ft ³ (.03 m ³)	10 lbs. (4.5 kg)	N/A
1.5GPR-FF (top handles, fast flow faucet)	20950.0004	1½ gallons (5.8L)	1.0 ft ³ (.03 m ³)	10 lbs. (4.5 kg)	N/A

Model	Product #	Volts	Amps	Watts	Capacity	Shipping Weight	Cord Attached	Agency
RWS1A (plastic legs)	12203.0011	230	.5	118	1GPR or 1.5GPR	6 lbs. (2.7 kg)	No	CE
Power cord	01716.0000							
RWS1B	12203.0012	100	.9	91	1GPR or 1.5GPR	7 lbs. (3.2 kg)	Yes	

Electrical: 230 volt model requires 2-wires plus ground service rated 220-240V, single phase, 50/60 Hz.
100 volt model requires 2-wires plus ground, single phase, 50 Hz.



BUNN Corporation - 1400 Stevenson Drive Springfield, Illinois 62703 • USA • +1-217-529-6601 • Fax +1-217-529-2827 • www.bunn.com

BUNN® practices continuous product research and improvement. We reserve the right to change specifications and product design without notice. Such revisions do not entitle the buyer to corresponding changes, improvements, additions or replacements for previously purchased equipment.

All dimensions shown in centimeters. Bunn Corporation owns all copyrights relating to materials in this publication. Please contact Bunn Corporation to request permission to reproduce any portion of this publication.