

# BUNN®

## Easy Clear® Quick Connect (EQ) ScaleGard® Pro

ITEM# \_\_\_\_\_

PROJECT \_\_\_\_\_

DATE \_\_\_\_\_



**Model EQ-12-TH**  
Water Quality System

### Features

#### Quick Connect (EQ-12-TH) Water Quality System

- Provides 422 gallons of superior sediment, taste/odor, sediment and chlorine reduction @ .5 gpm.
- 5 micron graded density filtration for long life.
- ScaleGard® Pro scale inhibitor provides six months of scale reduction and guards against corrosion. See chart below for recommended replacement.

#### Quick Connect

- Quick change filter head allows cartridge replacements in only a few seconds, and in any position.

For current specification sheets and other information, go to [www.bunn.com](http://www.bunn.com). ScaleGard® is a registered trademark of CUNO Incorporated.

### Related Products

**Warranty:** BUNN warrants the Easy Clear® hardware (excluding cartridges) to be free from defects in materials and workmanship for 1 year from the date of installation. See service manual for complete warranty statement.



System Tested and Certified by NSF International against ANSI/NSF Standard 42 for the reduction of sediment, taste/odor, and chlorine.

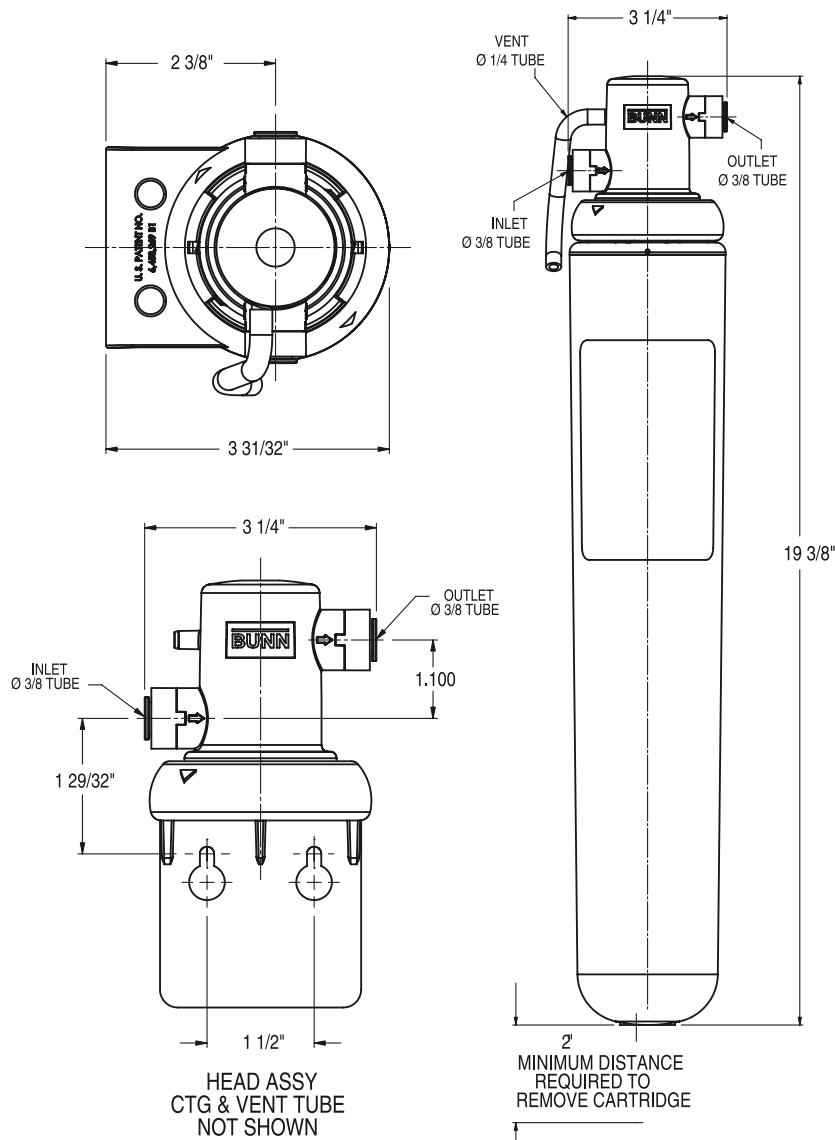
Incoming Hardness		Gallon Throughput Before Changeout	Number of Cups (Cup size based on 2.2 oz)	Number of Cups (Cup size based on 8 oz.)
PPM (Parts Per Million)	GPG (Grains Per Gallon)			
40	2	1,902	110,662	30,432
60	4	1,268	73,775	20,288
100	6	760	44,218	12,160
140	8	543	31,593	8,688
160	9	475	27,636	7,600
180	11	422	24,553	6,752
200	12	380	22,109	6,080
240	14	317	18,444	5,072
280	16	271	15,767	4,336
320	19	237	13,789	3,791
360	21	211	12,276	3,376

Model	Agency Listing
EQ-12-TH	NSF

# Dimensions & Specifications

Model	Product #	Flow Rate & Capacity	Replaces	Chlorine	Taste	Scale	Sediment
<b>Systems</b> EQ-12-TH	30371.1000	.5 gpm/422 gals. @ 150 ppm	n/a	•	•	•	•
<b>Cartridge Only</b> EQ-TH-2	30371.1001	.5 gpm/422 gals. @ 150 ppm	n/a	•	•	•	•

Note: Horizontal inlet and outlet ports. 1/4" BSP connections are compatible with common equipment and tubing installations.



EQ-12-TH

BUNN Corporation - 1400 Stevenson Drive Springfield, Illinois 62703 • 800-637-8606 • 217-529-6601 • Fax 217-529-6644 • www.bunn.com

BUNN® practices continuous product research and improvement. We reserve the right to change specifications and product design without notice. Such revisions do not entitle the buyer to corresponding changes, improvements, additions or replacements for previously purchased equipment.

All dimensions shown in inches. Bunn Corporation owns all copyrights relating to materials in this publication. Please contact Bunn Corporation to request permission to reproduce any portion of this publication.