

Pourover Hot Water Machine



Model OHW

Dimensions: 16.9"H x 6.5"W x 10.8"D
(42.9cm H x 16.8cm W x 27.4cm D)

Features

Pourover Hot Water Machine

- Plugs into any 120 volt outlet, no plumbing needed.
- Steaming hot water constantly available for fast, hot refreshment preparation—a quick cup at a time.
- No waiting. Draw hot water anytime—even immediately after refilling.
- Space-saving size to fit anywhere. Just 6.6" (16.8 cm) wide and 16.9" (42.9 cm) high.
- High quality, easy-to-clean stainless steel exterior and tank for a long, dependable life.
- Tank size: 80 oz. (2.37 litres)

For current specification sheets and other information, go to www.bunn.com.

Related Products

Model

Agency Listing

OHW



Patents Apply

10/09

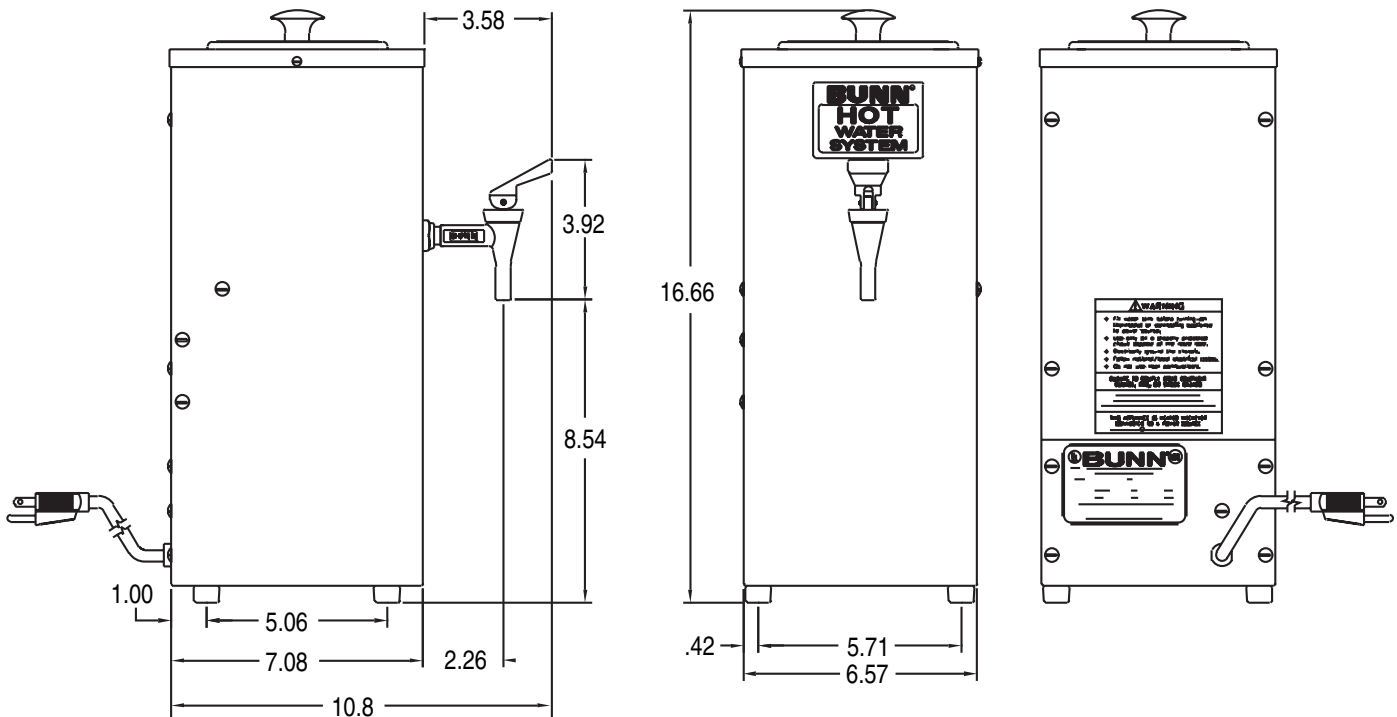
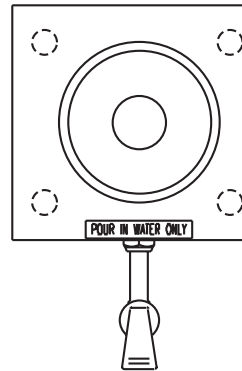
E4

Dimensions & Specifications

Model	Product #	Volts	Amps	Tank Heater Watts	Total Watts	°F Settings	Capacity	Cu. Ft.	Shipping Weight	Cord Attached
OHW	02550.0003	120	8.6	1000	1040	200	Pourover	1.9 ft ³	13 lbs.	Yes*

*Power cord (NEMA 5-15P) 15 Amp-120V machine only.

Electrical: Model requires 2-wires plus ground service rated 120V, single phase, 60Hz.



Bunn-O-Matic® Corporation - 1400 Stevenson Drive Springfield, Illinois 62703 • 800-637-8606 • 217-529-6601 • Fax 217-529-6644 • www.bunn.com

BUNN® practices continuous product research and improvement. We reserve the right to change specifications and product design without notice. Such revisions do not entitle the buyer to corresponding changes, improvements, additions or replacements for previously purchased equipment.

All dimensions shown in inches.