

Pourover Thermal Carafe Coffee Brewer

Features



Pourover Thermal Carafe Coffee Brewer

- Brews 3.8 gallons (14.4 litres) of perfect coffee per hour.
- Internal components are constructed from stainless steel.
- Pourover brewer requires no plumbing – completely portable.
- Just pour cold water in top and coffee brews immediately.
- Accommodates thermal carafe up to 8.5" (21.6 cm) tall.
- Use in environment where high quality coffee is continuously refreshed.
- Integral part of any office coffee service program.
- SplashGard® funnel deflects hot liquids away from the hand.

Model VPR-TC

(thermal carafe not included)

Dimensions: 21.3" H x 15.9" W x 8" D
(54.1cm H x 40.4cm W x 20.3cm D)

For current specification sheets and other information, go to www.bunn.com.

Related Products

Paper Filter Pack

Product No. : 20115.0000

Packed per case: 1,000

Dimensions: 4¼" Base x 2¾" Sidewall

10.8 cm Base x 6.98 cm Sidewall



Thermal Carafe

Product No. : 36029.0001

Dimensions: 8"H x 6.4"W x 8.2"D

(20.3cm H x 16.3cm W x 21cm D)

Thermal Carafe (orange lid)

Product No. : 36252.0000

Dimensions: 8"H x 6.4"W x 8.2"D

(20.3cm H x 16.3cm W x 21cm D)



Model

VPR-TC

Agency Listing



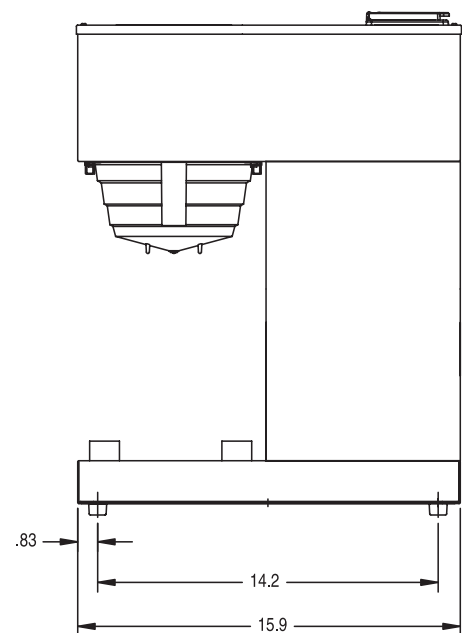
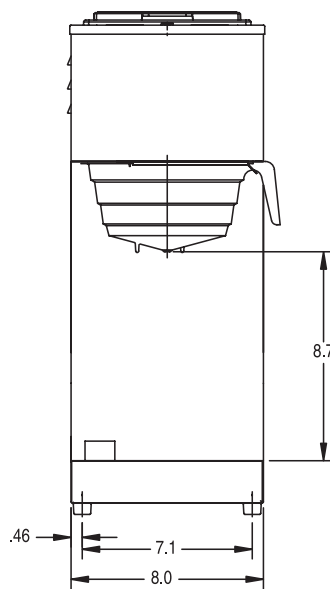
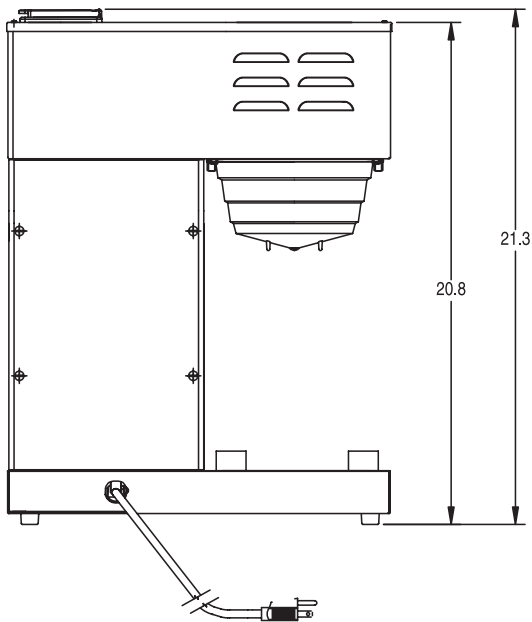
Dimensions & Specifications

Model	Product #	Volts	Amps	Tank Heater Watts	Total Watts	Brewing Capacity	Cu. Ft.	Shipping Weight	Cord Attached
VPR-TC	33200.0011	120	11.5	1320	1375	3.8 gal./hr.	4.3	23 lbs.	Yes [†]

[†]Power cord (NEMA 5-15P) 15 Amp-120V machine only.

Brewing capacity: based upon incoming water temp of 60°F (140°F rise) per 1/2 gallon brew time of 4 minutes.

Electrical: Model requires 2-wires plus ground service rated 120V, single phase, 60 Hz.



Bunn-O-Matic® Corporation - 1400 Stevenson Drive Springfield, Illinois 62703 • 800-637-8606 • 217-529-6601 • Fax 217-529-6644 • www.bunn.com

BUNN® practices continuous product research and improvement. We reserve the right to change specifications and product design without notice. Such revisions do not entitle the buyer to corresponding changes, improvements, additions or replacements for previously purchased equipment.

All dimensions shown in inches.

6/09 © Bunn-O-Matic Corporation