

## TF Servers

### Features

#### BUNN ThermoFresh® servers

- Vacuum insulated to keep coffee hot for hours.
- Contemporary styling and wrap program for maximum merchandising.
- Built-in drip tray is easily removed for cleaning.
- Large cup clearance allows for dispensing into cups, decanters and thermal carafes.
- Fast flow faucet.
- Brew-through lid.
- Integrated sight gauge assembly allows for easy cleaning.
- Innovative faucet design.
- Improved space saving profile.
- Ideal for use with Single or Dual TF DBC Brewers.



#### 1 and 1.5 gallon TF Servers

Dimensions (1 gal): 20.6" H x 9.6" W x 14.1" D  
(52.3cm H x 24.4cm W x 35.8cm D)

Dimensions (1.5 gal): 22.5" H x 9.9" W x 16.3" D  
(57.2cm H x 25.2cm W x 41.4cm D)

For current specification sheets and other information, go to [www.bunn.com](http://www.bunn.com).

### Related Products

#### Dual TF DBC

Product No.: 34600.0001



(servers sold separately)

#### Single TF DBC

Product No.: 34800.0000



(server sold separately)

#### TF Server Handle (orange)

Product No.: 39081.0001



#### Flavor Label Holder

Product No.: 41745.1000



Brewer/Server Compatibility		
Brewer	1.5 Gal TF w/base	1 Gal TF w/base
ICB	No	No
ICB Twin	No	No
ICB (tall)	Yes	Yes
ICB Twin (tall)	Yes	Yes
ITCB	No	No
ITCB (tall)	Yes	Yes
Single TF	Yes	Yes
Dual TF	Yes	Yes

#### Model

TF Server

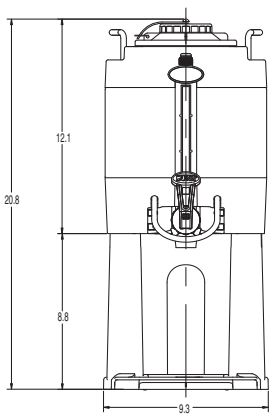
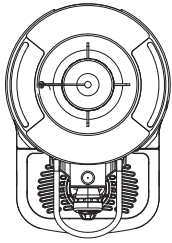
#### Agency Listing



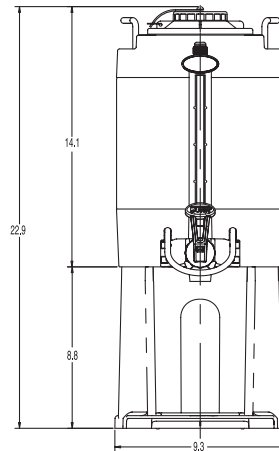
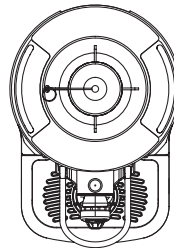
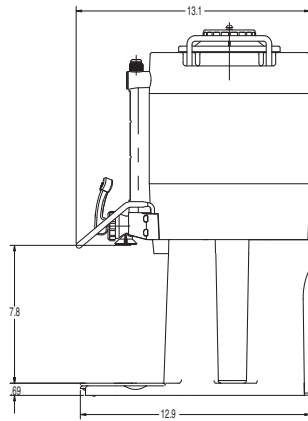
## Dimensions & Specifications

Model	Product #	Volts	Amps	Total Watts	Holding Capacity	Cubic Measure	Shipping Weight	Cord Attached
1 Gal TF Server	39500.0000	n/a	n/a	n/a	1 gallon	2.8 ft <sup>3</sup>	13 lbs.	No
1 Gal TF Server*	39500.0001	n/a	n/a	n/a	1 gallon	2.8 ft <sup>3</sup>	13 lbs.	No
1.5 Gal TF Server	39550.0000	n/a	n/a	n/a	1.5 gallons	2.8 ft <sup>3</sup>	14 lbs.	No
1.5 Gal TF Server*	39550.0001	n/a	n/a	n/a	1.5 gallons	2.8 ft <sup>3</sup>	14 lbs.	No

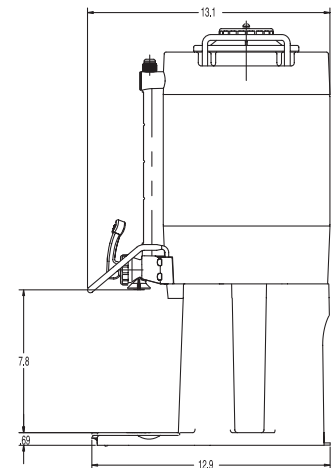
\* Models have black decor.



1 Gal TF Server



1.5 Gal TF Server



Bunn-O-Matic® Corporation - 1400 Stevenson Drive Springfield, Illinois 62703 • 800-637-8606 • 217-529-6601 • Fax 217-529-6644 • www.bunn.com

BUNN® practices continuous product research and improvement. We reserve the right to change specifications and product design without notice. Such revisions do not entitle the buyer to corresponding changes, improvements, additions or replacements for previously purchased equipment.

All dimensions shown in inches.