

BUNN®

Thermal Carafe Automatic Coffee Brewer

ITEM#

PROJECT

DATE

Features



12 Cup Automatic Coffee Brewer

- Brews 3.8 to 7.5 gallons (14.4 to 28.4 litres) of perfect coffee per hour.
- Accepts thermal carafe up to 8.5" tall (21.6cm).
- Use in quick turn environment where high quality coffee is continuously refreshed.
- Models are space saving 9" wide (22.9cm).
- All stainless steel construction.
- Hot water faucet on all models.
- SplashGard® funnel deflects hot liquids away from the hand. Automatically adjusts to varying water pressure.
- Quicker install with pot level, cold brew lock-out and tank temperature set using the simple-to-program touch pad controls.
- Faster service by use of feedback information from built-in electronic diagnostics.

Model CDBCF15-TC

(no warmers) (thermal carafe sold separately)

Dimensions: 17.9" H x 9" W x 18.5" D

(45.5cm H x 22.9cm W x 55.4cm D)

For current specification sheets and other information, go to www.bunn.com.

* International models may vary in appearance.

Related Products

Easy Clear® EQ-17-TL

Product No. : 30200.1000

Dimensions:

12 $\frac{7}{16}$ " H x 2 $\frac{1}{2}$ " W x 3" D

31.6 cm H x 6.35 cm W x 7.62 cm D



Thermal Carafe

Product No. : 36029.0001

Dimensions: 8"H x 6.4"W x 8.2"D

(20.3cm H x 16.3cm W x 21cm D)



Thermal Carafe (orange lid)

Product No.: 36252.0001

Dimensions: 8"H x 6.4"W x 8.2"D

(20.3cm H x 16.3cm W x 21cm D)



Paper Filter Pack

Product No. : 20115.0000

Packed per case: 1,000

Dimensions: 4 $\frac{1}{4}$ " Base x 2 $\frac{3}{4}$ " Sidewall

10.8 cm Base x 6.98 cm Sidewall



Model

CDBCF15-TC

Agency Listing



Patents Apply

10/09

Dimensions & Specifications

Model	Product #	Volts	Amps	Tank Heater Watts	Total Watts	Brewing Capacity	Cubic Measure	Shipping Weight	Cord Attached
CDBCF15-TC*	29000.0107	120	12.5	1425	1500	4.2 gal./hr.	4.3 ft ³	30 lbs.	Yes**
CDBCF15-TC DV	29000.0233	120	12.5	1425	1500	4.2 gal./hr.	4.3 ft ³	30 lbs.	No

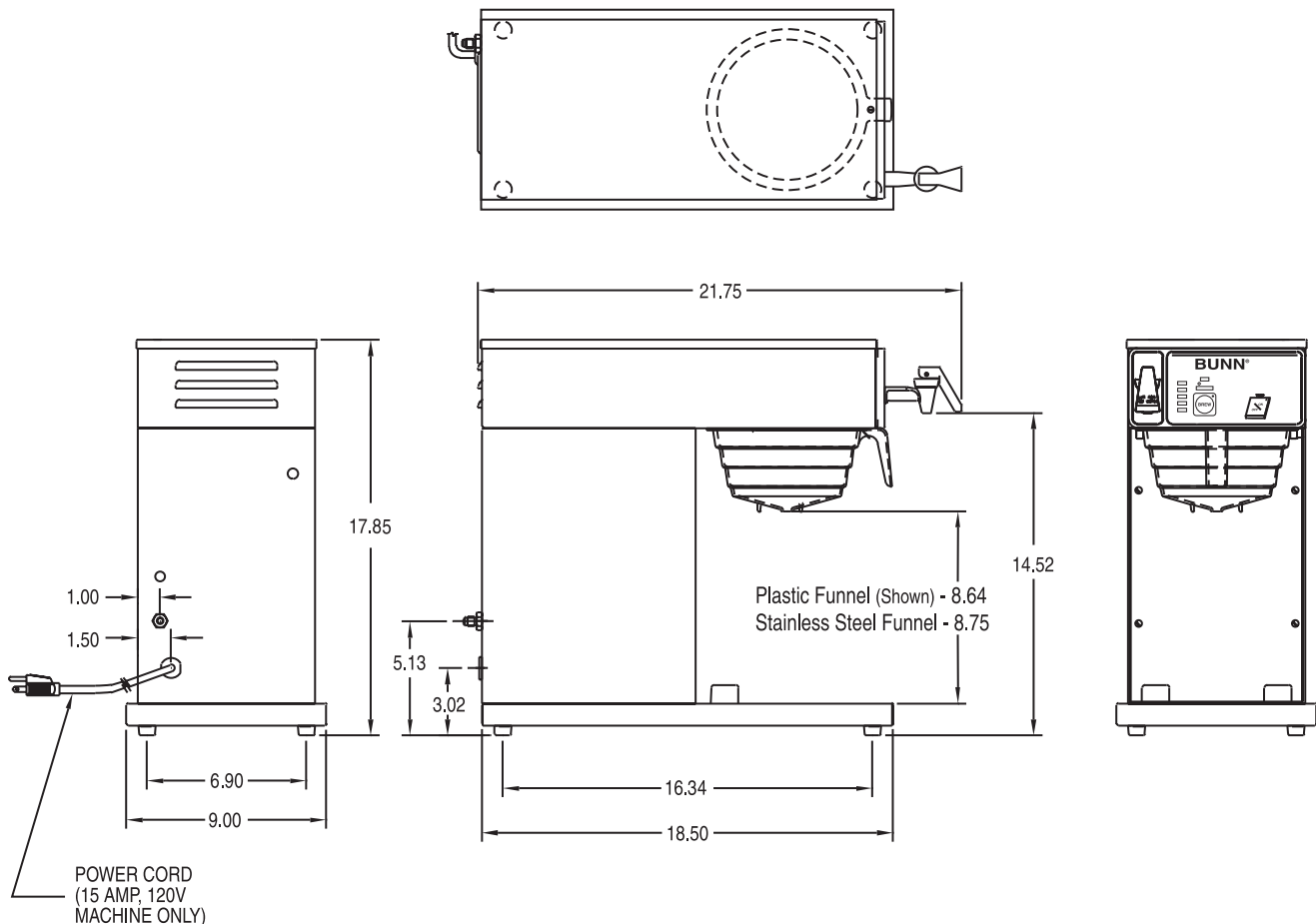
* Stainless steel funnel **Power cord (NEMA 5-15P) 15 Amp-120V machine only.

Brewing capacity: based upon incoming water temp of 60°F/15°C (140°F/60°C rise) per 1/2 gallon brew time of 4 minutes.

Models listed as 120/208V or 120/240V must be connected to 208V or 240V electrical service respectively. Please refer to the installation manual.

Electrical: If wired for 120V, requires 2-wires plus ground service rated 120V, single phase, 60 Hz. If wired for 120/208V or 120/240V, requires 3-wires plus ground service rated 120/208V or 120/240V, single phase, 60 Hz.

Plumbing: 20-90 psi (138-621 kPa). Machine supplied with 1/4" male flare fitting.



Bunn-O-Matic Corporation - 1400 Stevenson Drive Springfield, Illinois 62703 • 800-637-8606 • 217-529-6601 • Fax 217-529-6644 • www.bunn.com

BUNN® practices continuous product research and improvement. We reserve the right to change specifications and product design without notice. Such revisions do not entitle the buyer to corresponding changes, improvements, additions or replacements for previously purchased equipment.

All dimensions shown in inches.