



NOTICE

The Service and Repair manual for HW models, is currently in progress.

For your convenience, we have provided Schematic Wiring Diagrams on the following pages.
(for digital CBA models only)

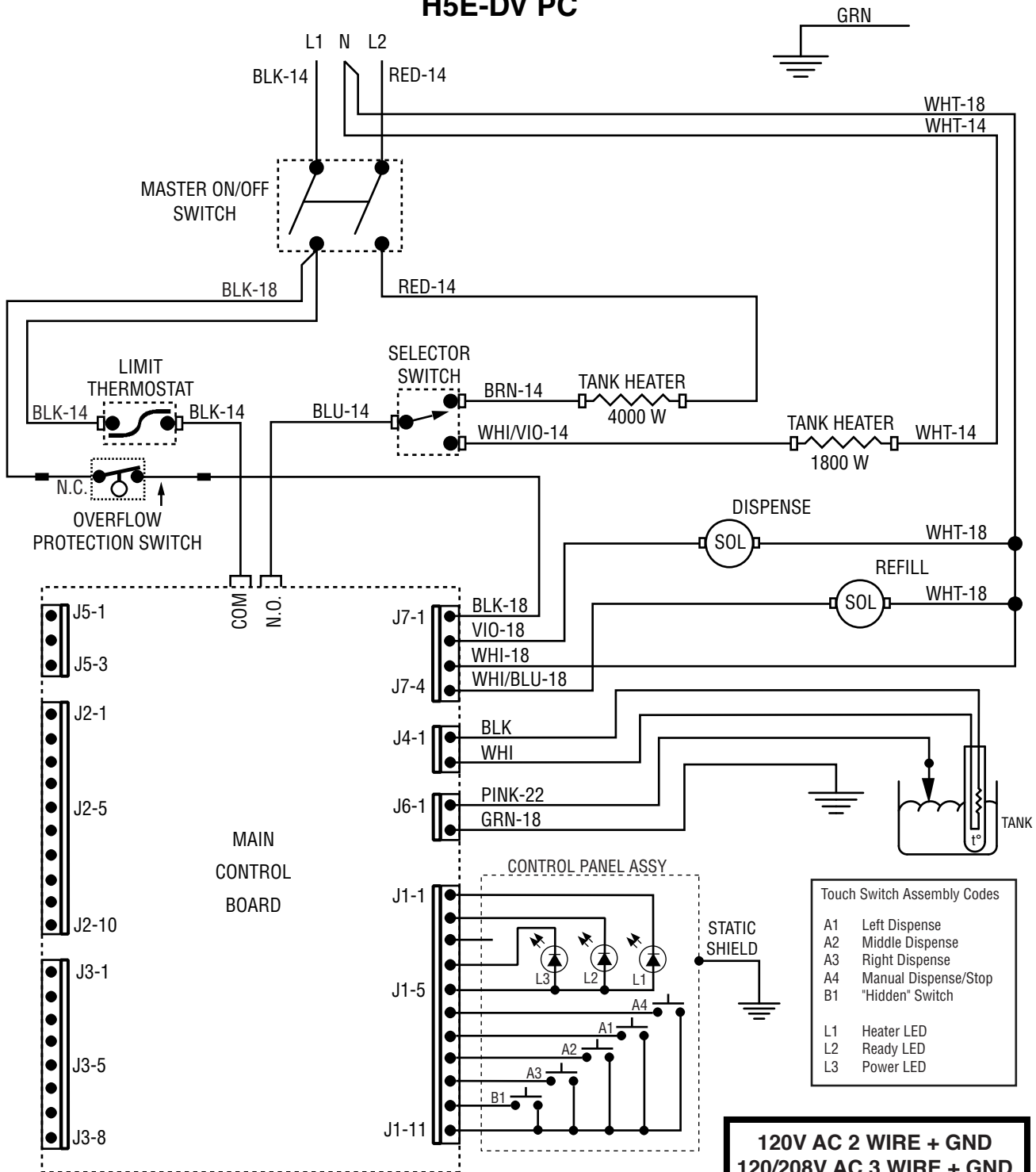
Thank you for your patience.

BUNN-O-MATIC CORPORATION

POST OFFICE BOX 3227
SPRINGFIELD, ILLINOIS 62708-3227
PHONE: (217) 529-6601 FAX: (217) 529-6644



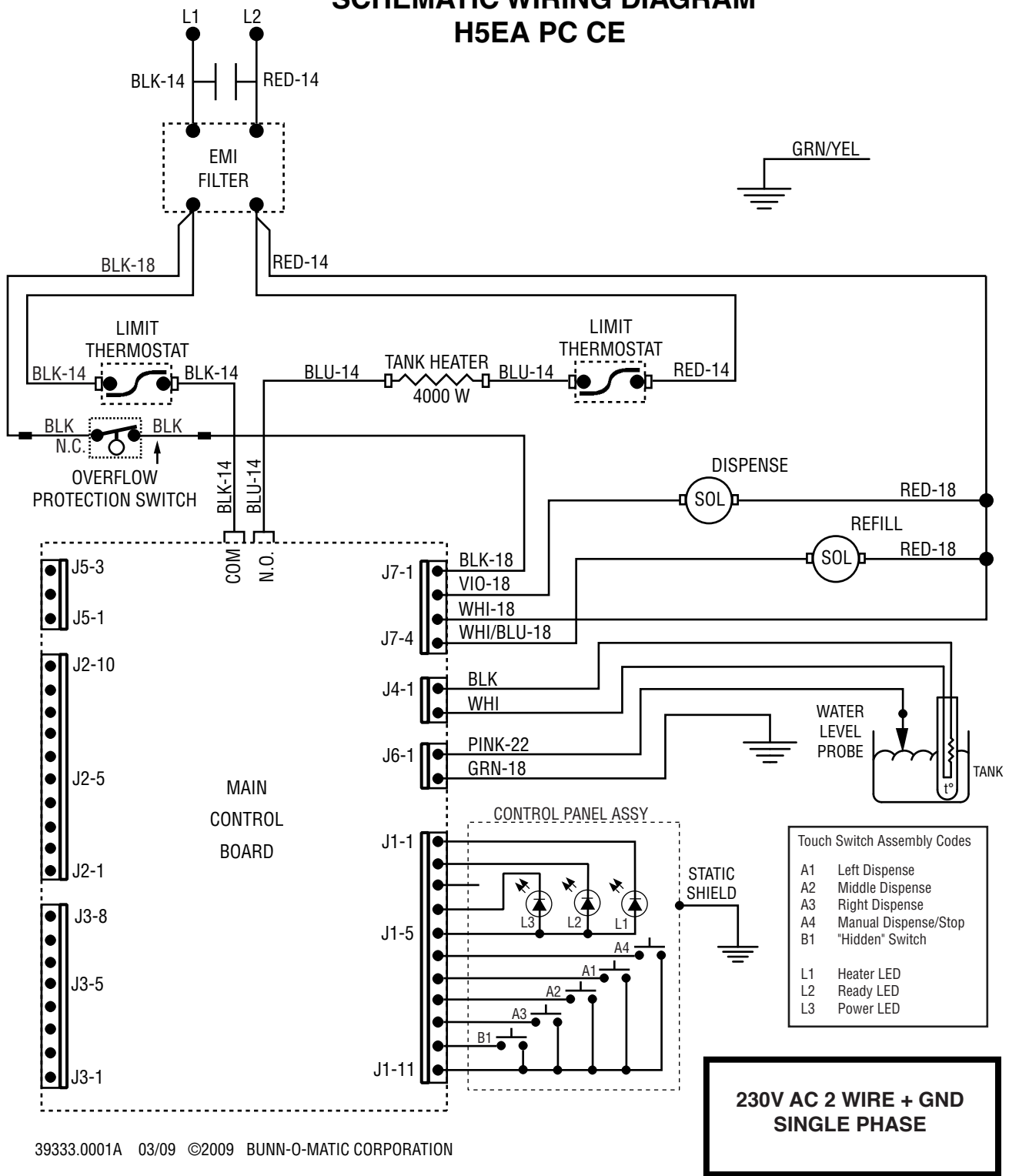
SCHEMATIC WIRING DIAGRAM H5E-DV PC



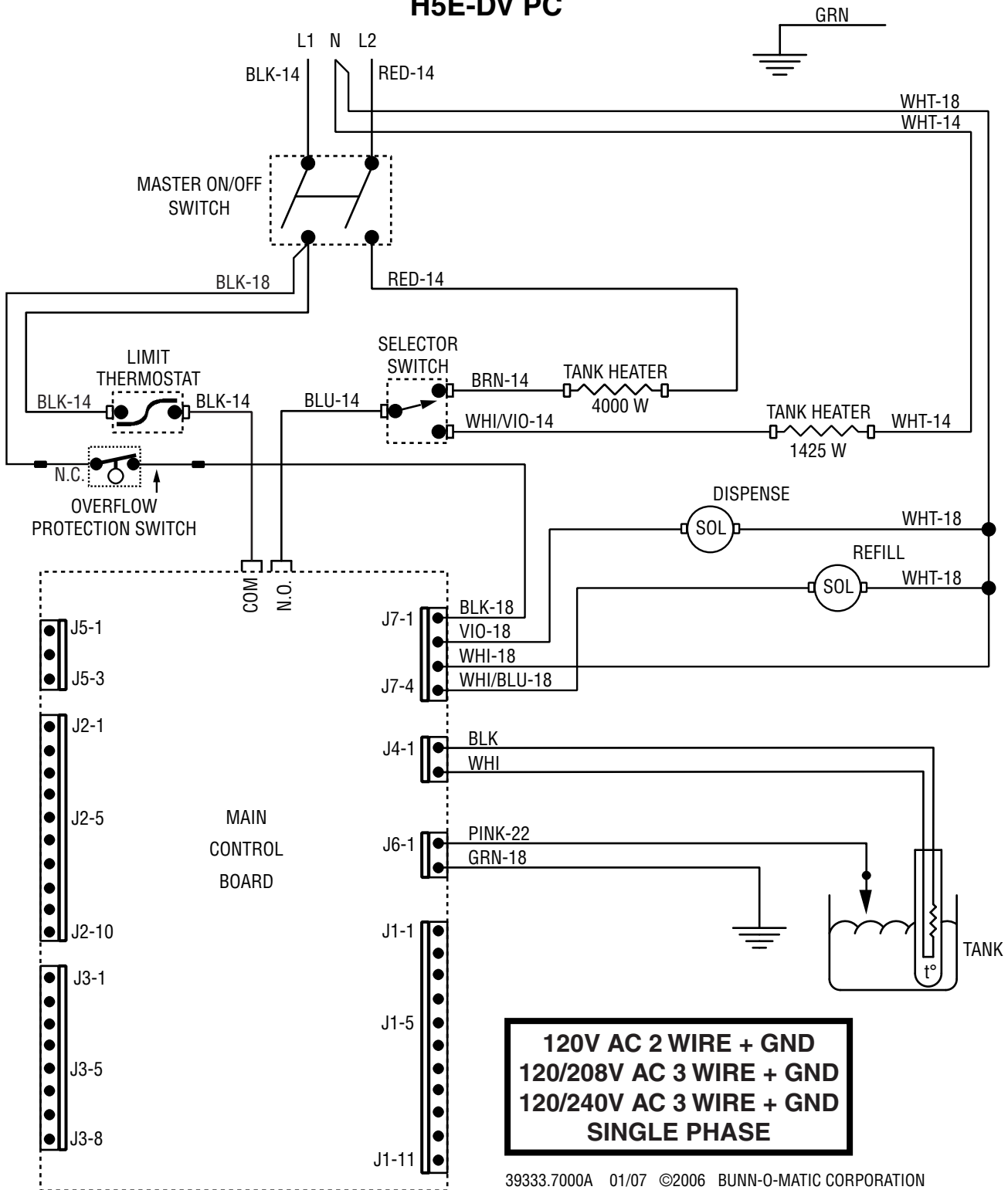
Touch Switch Assembly Codes	
A1	Left Dispense
A2	Middle Dispense
A3	Right Dispense
A4	Manual Dispense/Stop
B1	"Hidden" Switch
L1	Heater LED
L2	Ready LED
L3	Power LED

**120V AC 2 WIRE + GND
120/208V AC 3 WIRE + GND
120/240V AC 3 WIRE + GND
SINGLE PHASE**

SCHEMATIC WIRING DIAGRAM H5EA PC CE

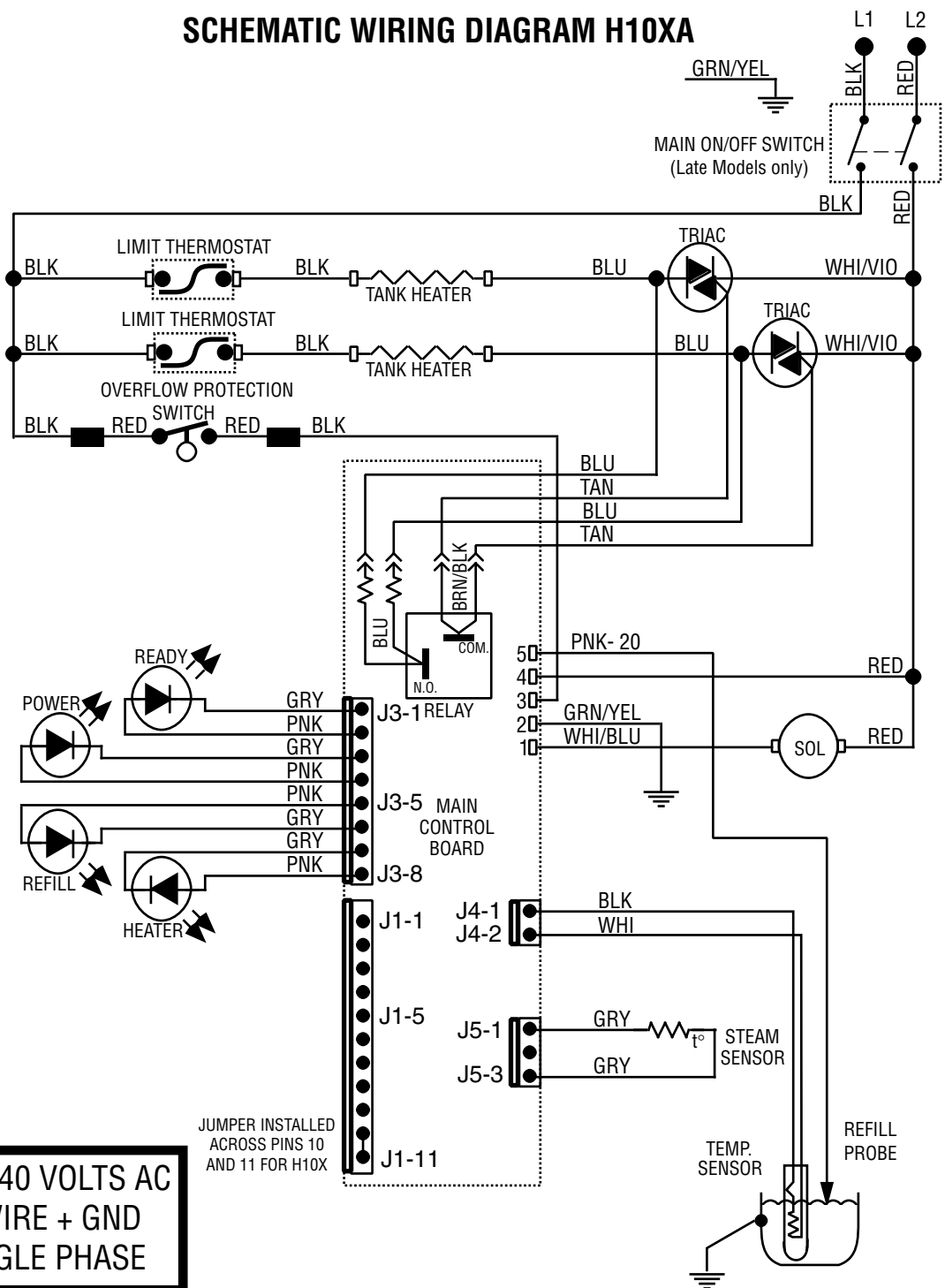


SCHEMATIC WIRING DIAGRAM H5E-DV PC



120V AC 2 WIRE + GND
120/208V AC 3 WIRE + GND
120/240V AC 3 WIRE + GND
SINGLE PHASE

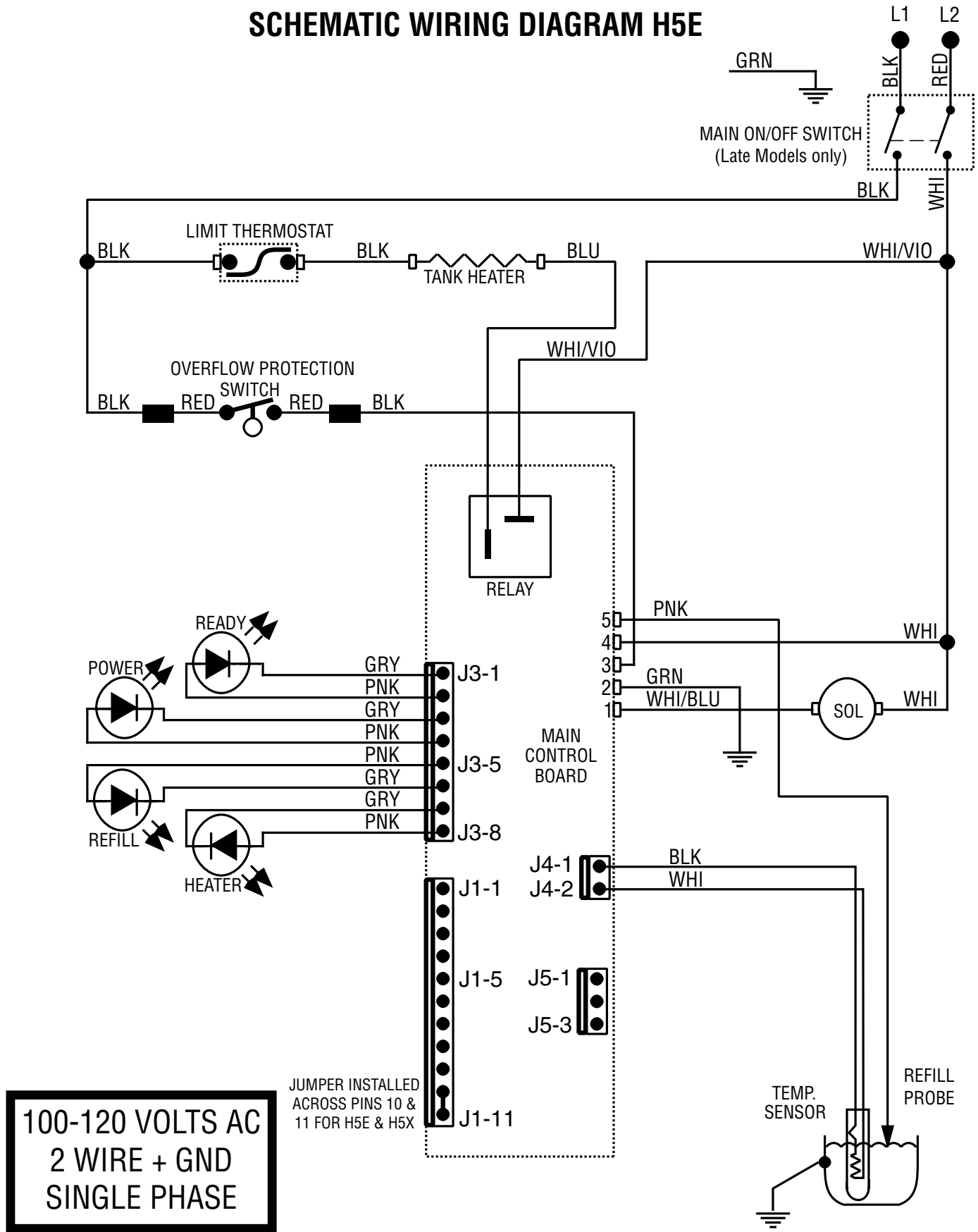
SCHEMATIC WIRING DIAGRAM H10XA



**200-240 VOLTS AC
2 WIRE + GND
SINGLE PHASE**

JUMPER INSTALLED
ACROSS PINS 10
AND 11 FOR H10X

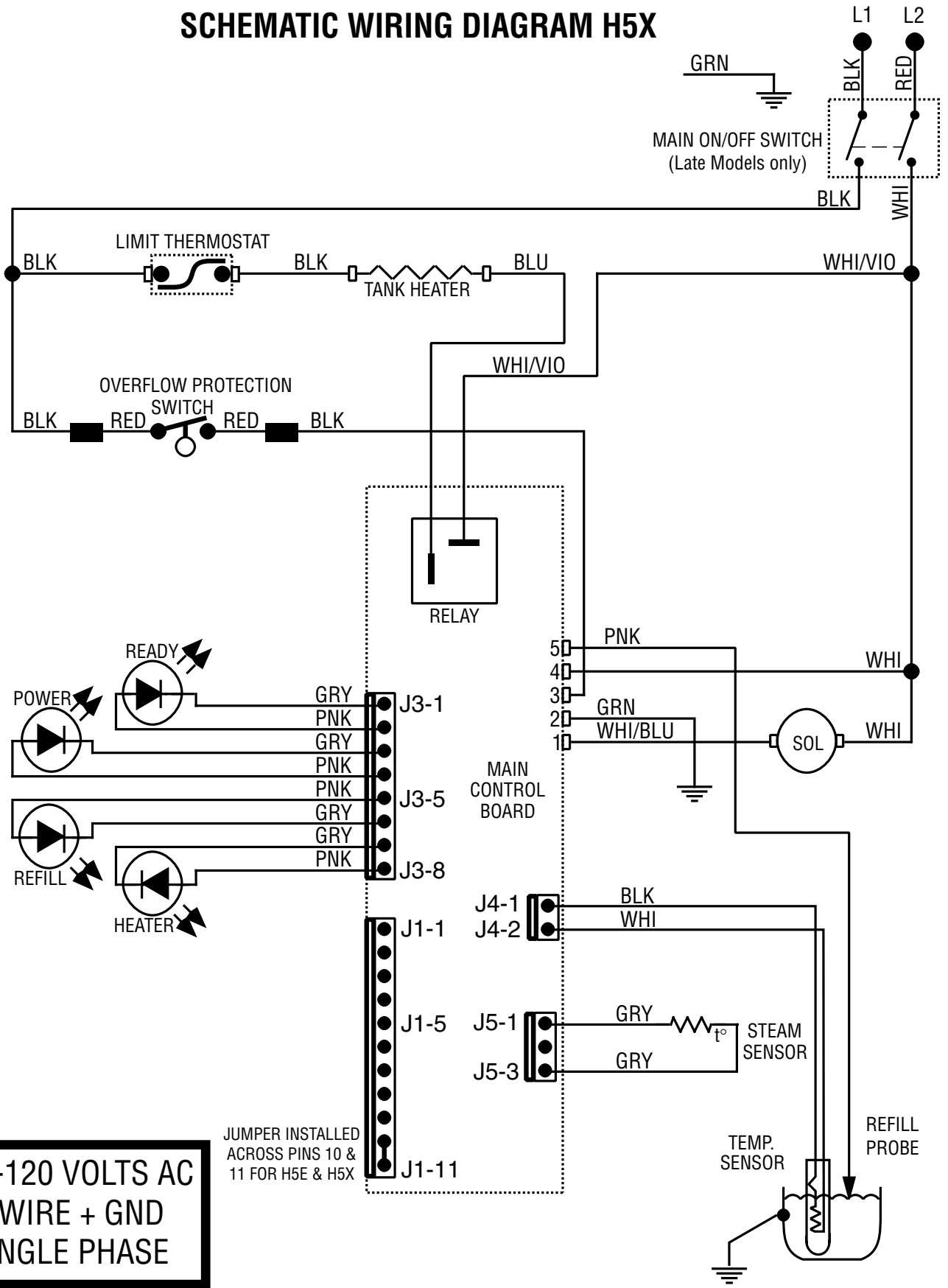
SCHEMATIC WIRING DIAGRAM H5E



**100-120 VOLTS AC
2 WIRE + GND
SINGLE PHASE**

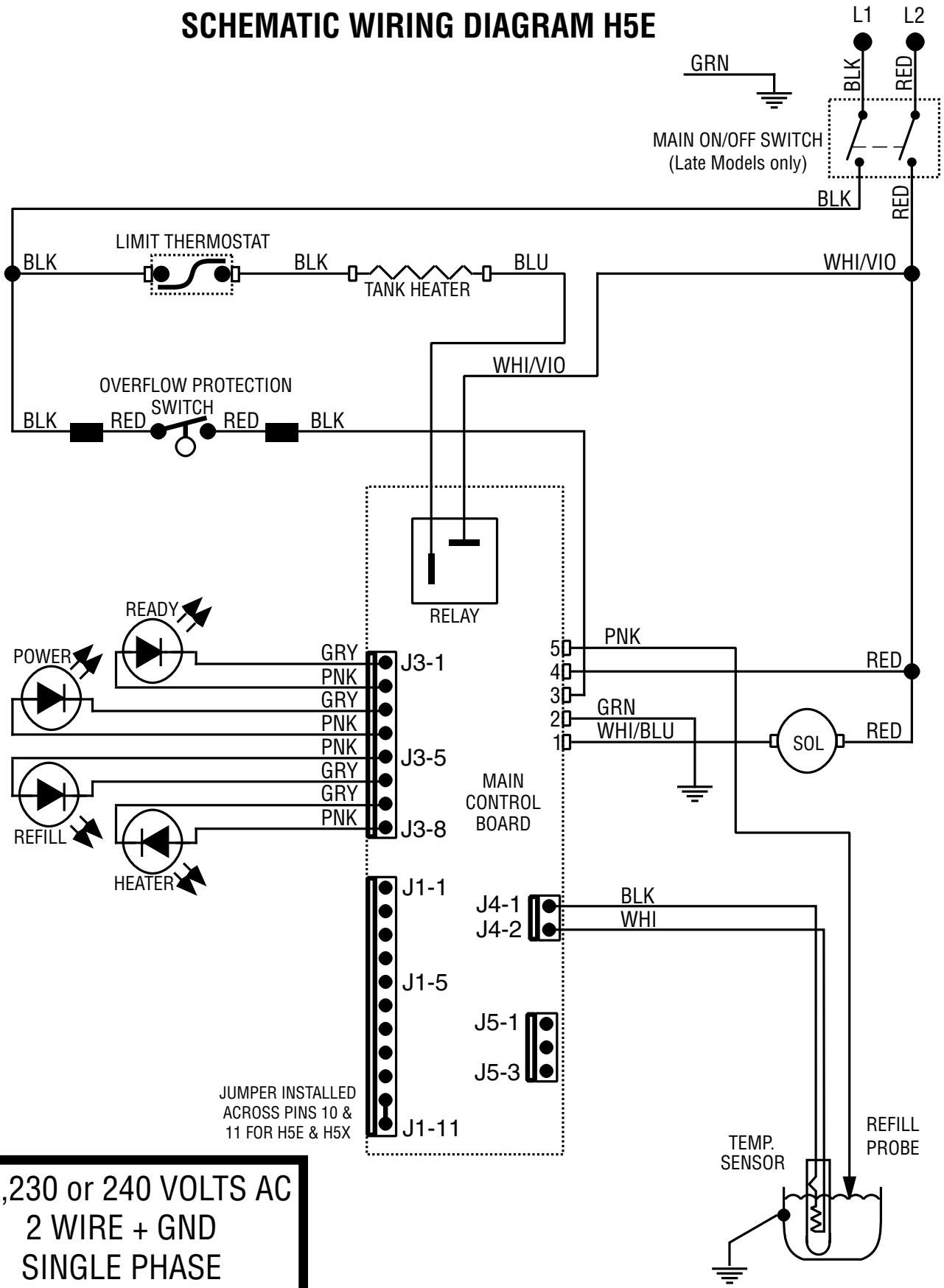
JUMPER INSTALLED
ACROSS PINS 10 &
11 FOR H5E & H5X

SCHEMATIC WIRING DIAGRAM H5X



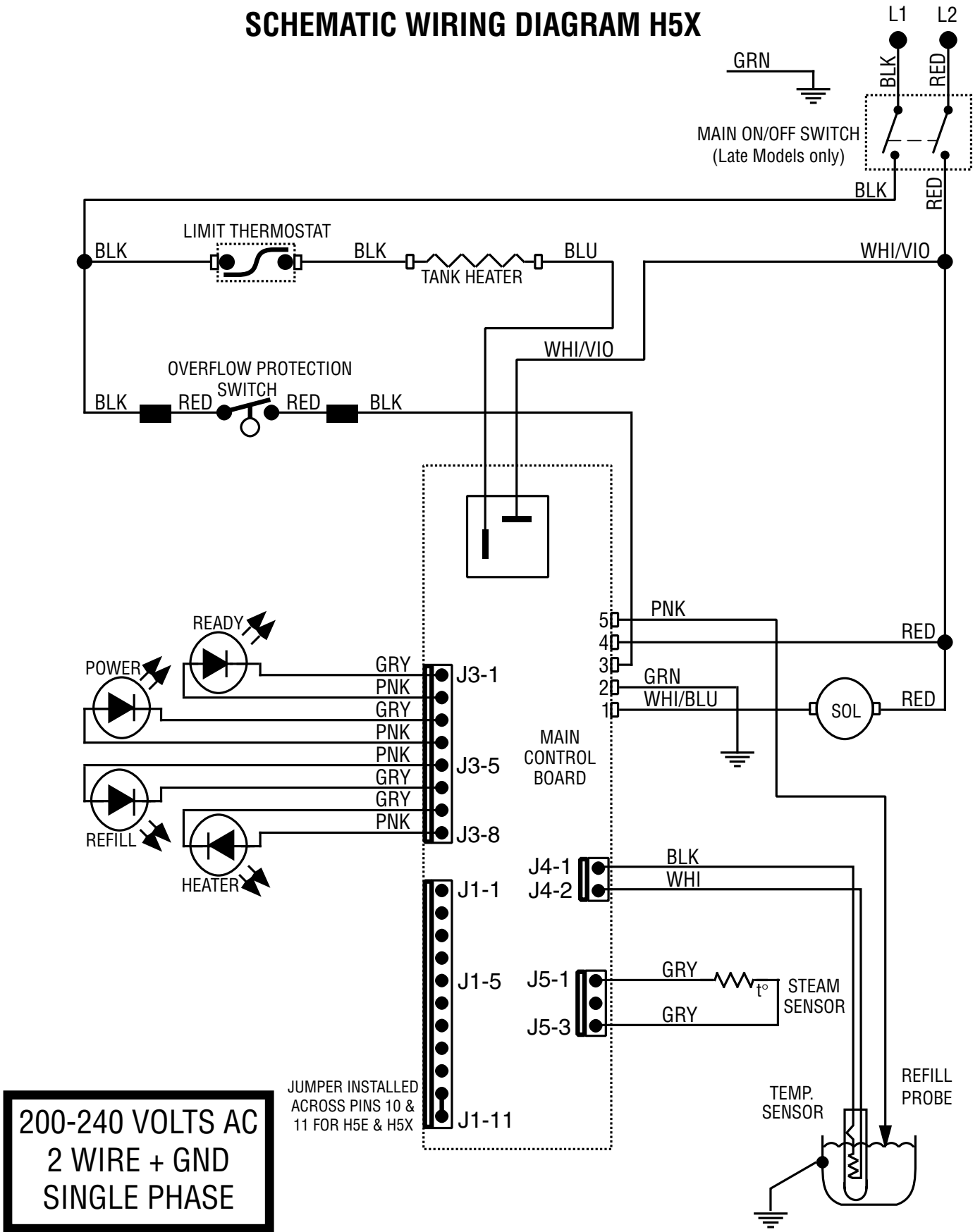
**100-120 VOLTS AC
2 WIRE + GND
SINGLE PHASE**

SCHEMATIC WIRING DIAGRAM H5E



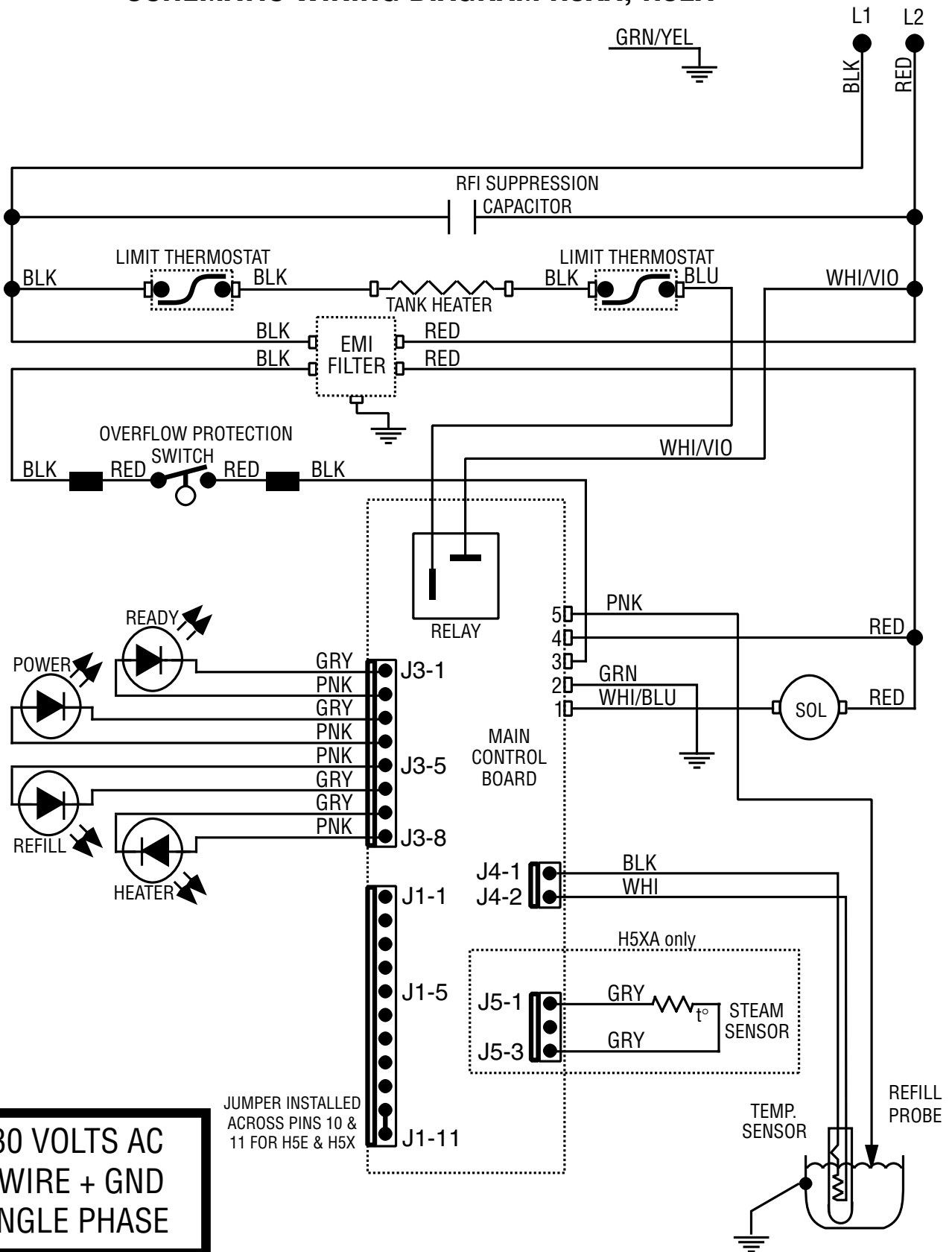
**208,230 or 240 VOLTS AC
2 WIRE + GND
SINGLE PHASE**

SCHEMATIC WIRING DIAGRAM H5X



200-240 VOLTS AC
2 WIRE + GND
SINGLE PHASE

SCHEMATIC WIRING DIAGRAM H5XA, H5EA



**230 VOLTS AC
2 WIRE + GND
SINGLE PHASE**