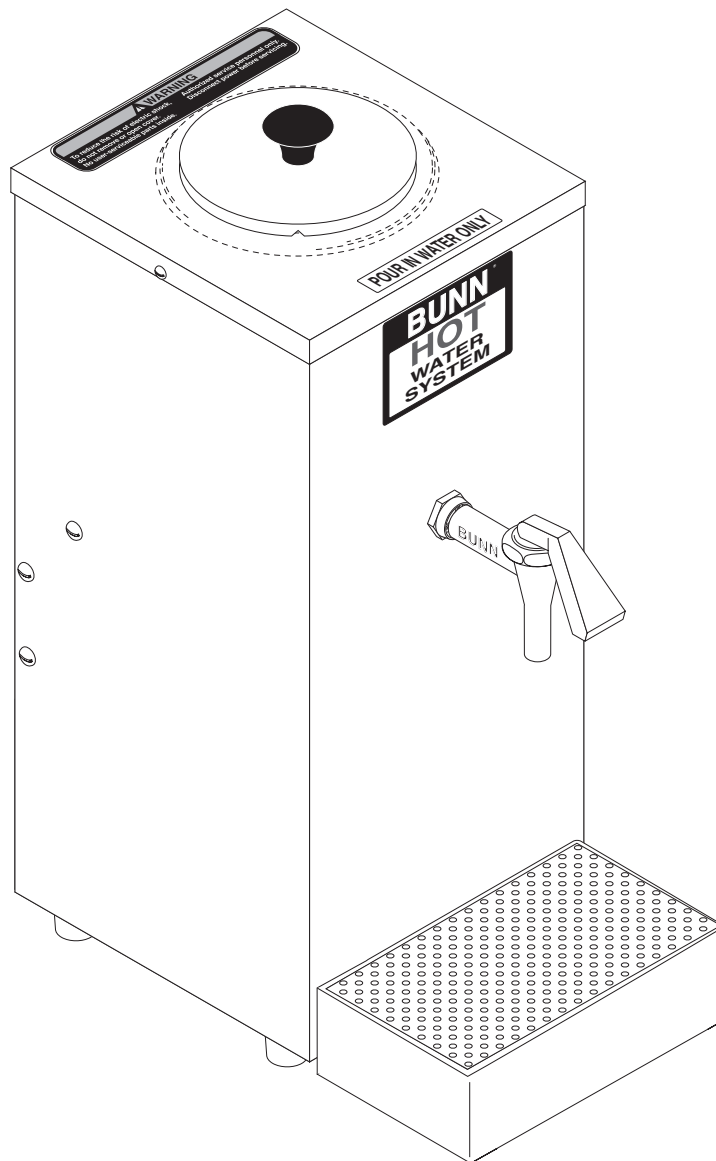

BUNN®

OHW OHWA



ILLUSTRATED PARTS CATALOG

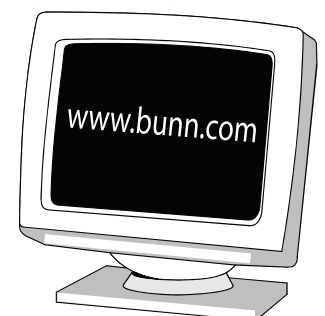
Designs, materials, weights, specifications, and dimensions for equipment or replacement parts are subject to change without notice.

BUNN-O-MATIC CORPORATION

POST OFFICE BOX 3227

SPRINGFIELD, ILLINOIS 62708-3227

PHONE: (217) 529-6601 FAX: (217) 529-6644



BUNN-O-MATIC COMMERCIAL PRODUCT WARRANTY

Bunn-O-Matic Corp. ("BUNN") warrants equipment manufactured by it as follows:

- 1) All equipment other than as specified below: 2 years parts and 1 year labor.
- 2) Electronic circuit and/or control boards: parts and labor for 3 years.
- 3) Compressors on refrigeration equipment: 5 years parts and 1 year labor.
- 4) Grinding burrs on coffee grinding equipment to grind coffee to meet original factory screen sieve analysis: parts and labor for 3 years or 30,000 pounds of coffee, whichever comes first.

These warranty periods run from the date of installation BUNN warrants that the equipment manufactured by it will be commercially free of defects in material and workmanship existing at the time of manufacture and appearing within the applicable warranty period. This warranty does not apply to any equipment, component or part that was not manufactured by BUNN or that, in BUNN's judgment, has been affected by misuse, neglect, alteration, improper installation or operation, improper maintenance or repair, damage or casualty. This warranty is conditioned on the Buyer 1) giving BUNN prompt notice of any claim to be made under this warranty by telephone at (217) 529-6601 or by writing to Post Office Box 3227, Springfield, Illinois 62708-3227; 2) if requested by BUNN, shipping the defective equipment prepaid to an authorized BUNN service location; and 3) receiving prior authorization from BUNN that the defective equipment is under warranty.

THE FOREGOING WARRANTY IS EXCLUSIVE AND IS IN LIEU OF ANY OTHER WARRANTY, WRITTEN OR ORAL, EXPRESS OR IMPLIED, INCLUDING, BUT NOT LIMITED TO, ANY IMPLIED WARRANTY OF EITHER MERCHANTABILITY OR FITNESS FOR A PARTICULAR PURPOSE. The agents, dealers or employees of BUNN are not authorized to make modifications to this warranty or to make additional warranties that are binding on BUNN. Accordingly, statements by such individuals, whether oral or written, do not constitute warranties and should not be relied upon.

If BUNN determines in its sole discretion that the equipment does not conform to the warranty, BUNN, at its exclusive option while the equipment is under warranty, shall either 1) provide at no charge replacement parts and/or labor (during the applicable parts and labor warranty periods specified above) to repair the defective components, provided that this repair is done by a BUNN Authorized Service Representative; or 2) shall replace the equipment or refund the purchase price for the equipment.

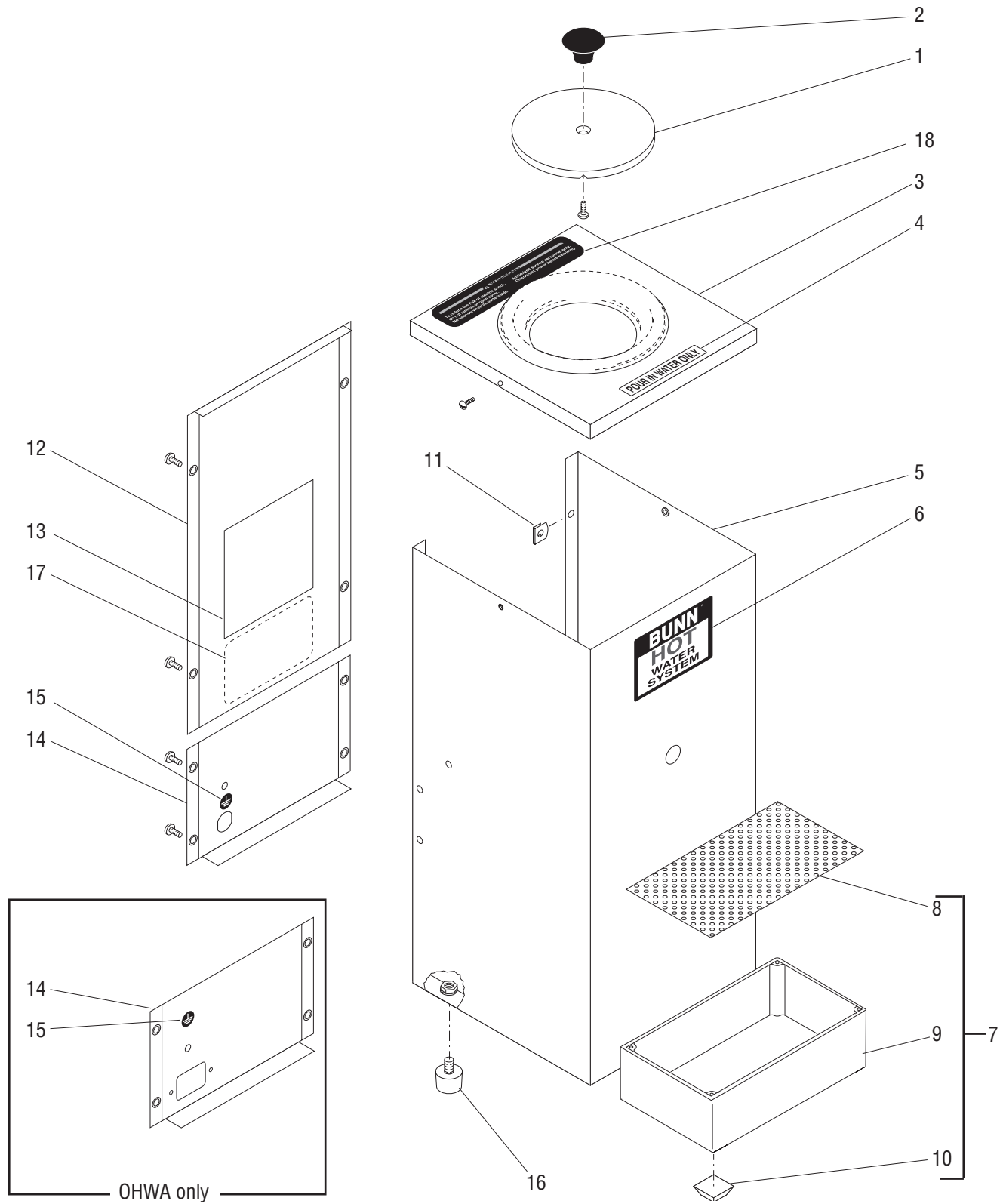
THE BUYER'S REMEDY AGAINST BUNN FOR THE BREACH OF ANY OBLIGATION ARISING OUT OF THE SALE OF THIS EQUIPMENT, WHETHER DERIVED FROM WARRANTY OR OTHERWISE, SHALL BE LIMITED, AT BUNN'S SOLE OPTION AS SPECIFIED HEREIN, TO REPAIR, REPLACEMENT OR REFUND.

In no event shall BUNN be liable for any other damage or loss, including, but not limited to, lost profits, lost sales, loss of use of equipment, claims of Buyer's customers, cost of capital, cost of down time, cost of substitute equipment, facilities or services, or any other special, incidental or consequential damages.

BrewWISE, BrewLOGIC, BrewMETER, BrewWIZARD, Bunn Gourmet, BUNN Gourmet Ice, BUNN Pour-O-Matic, BUNN, Bunn-OMatic, Bunn-O-Matic, BUNNlink, BUNNserve, BUNNSERVE, BUNN Espresso, Cool Froth, DBC, Dr. Brew, Dual, Easy-Clear, EasyGard, Easy Pour, FlavorGard, Gourmet Ice, Gourmet Juice, High Intensity, IMIX, Infusion Series, Intellisteam, Quality Beverage Equipment Worldwide, The Mark of Quality in Beverage Equipment Worldwide, My Café, PowerLogic, Safety-Fresh, Scale-Pro, Silver Series, Single, Smart Funnel, Smart Hopper, SmartWAVE, Soft Heat, SplashGard, System III, ThermoFresh, 392, AutoPOD, AXIOM, Beverage Profit Calculator, Beverage Bar Creator, BUNNsource, Coffee At Its Best, Digital Brewer Control, Nothing Brews Like a BUNN, Pouring Profits, Pulse Wave, Signature Series, Smart Heat, Tea At Its Best, The Horizontal Red Line, Titan, Ultra, are either trademarks or registered trademarks of Bunn-O-Matic Corporation.

TABLE OF CONTENTS

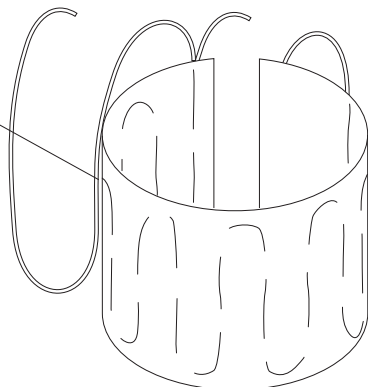
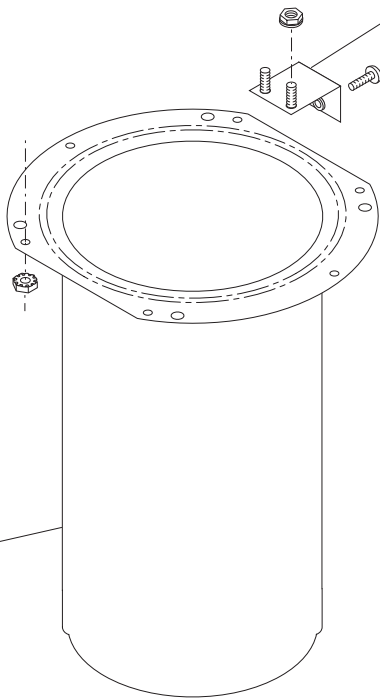
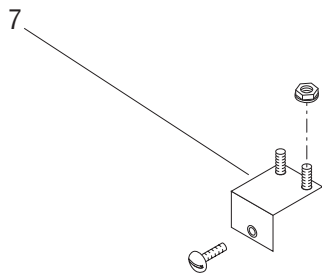
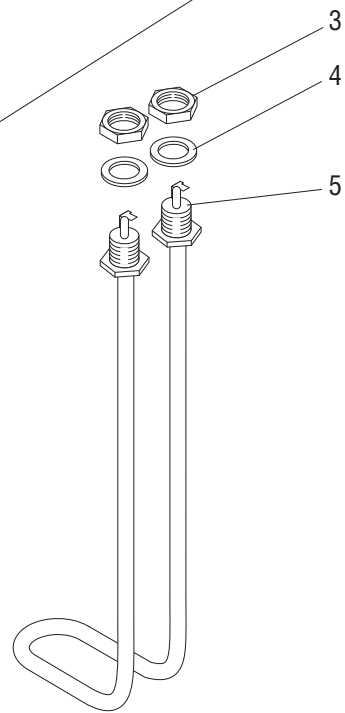
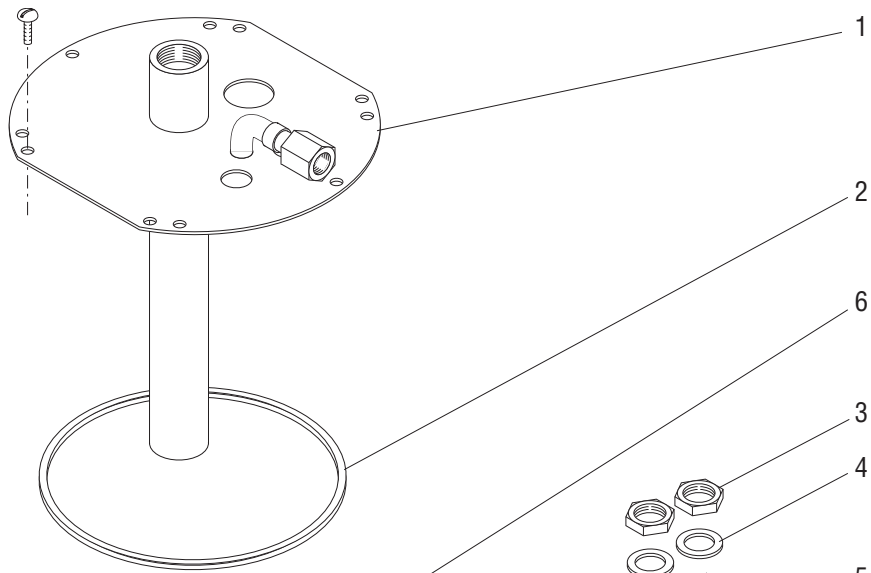
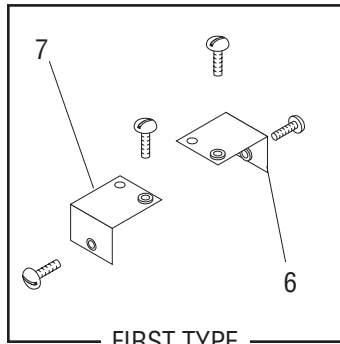
ELECTRICAL AND OPERATING CONTROLS	10
FILL BASIN AND FAUCET	8
HOUSING AND COVERS	4
NUMERICAL INDEX	12
TANK AND COMPONENTS	6



OHWA only

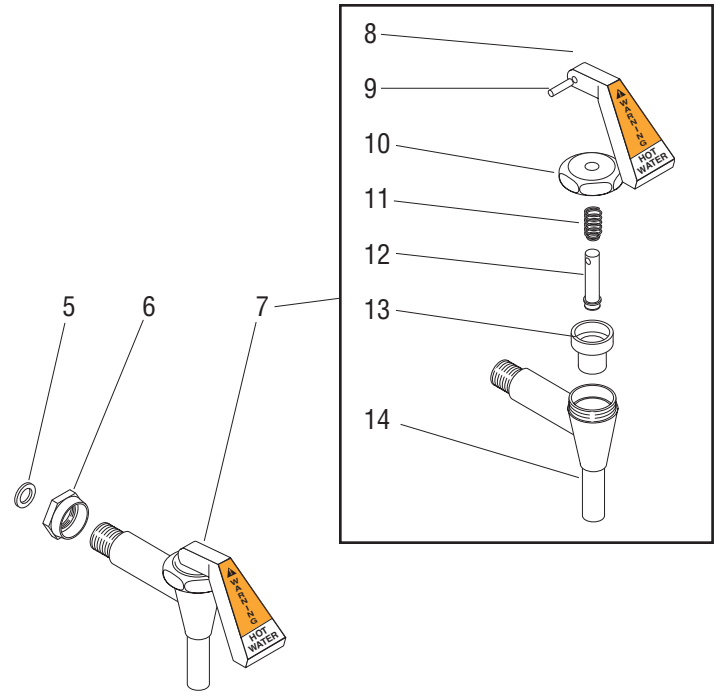
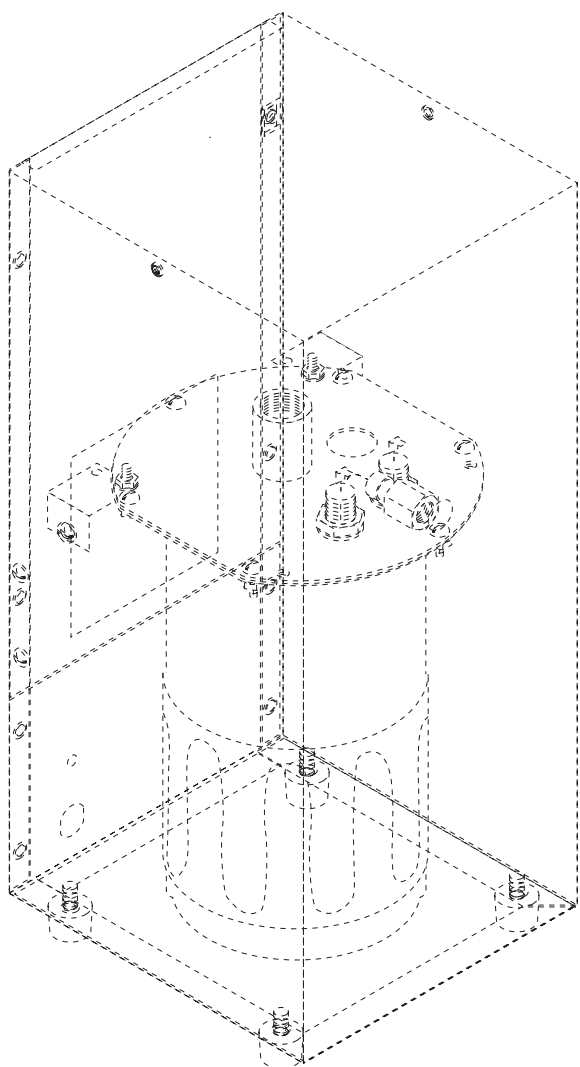
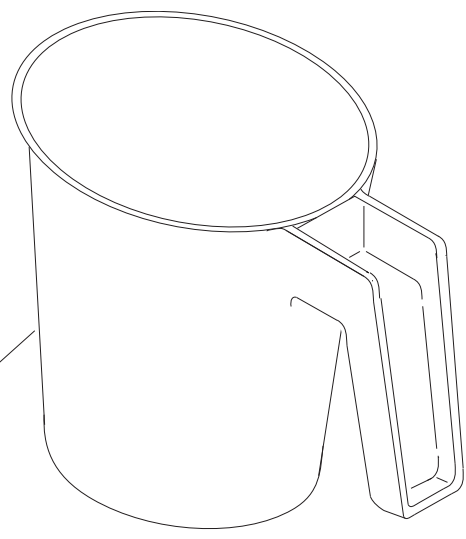
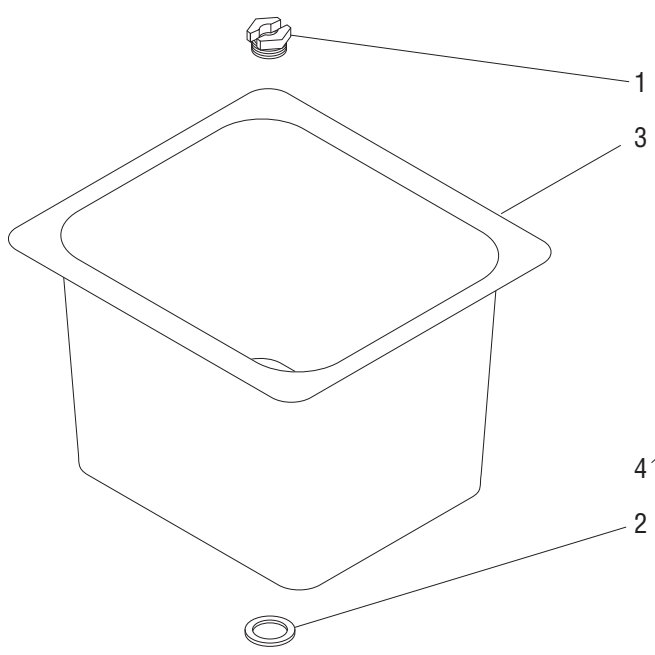
HOUSING AND COVERS

ITEM	PART NO.	QTY.	DESCRIPTION
-	02564.0002	-	Lid Assy (Includes items 1 and 2)
1	02592.0000	1	Lid, Pour-In
2	00725.0000	1	Knob
	01315.0000	1	Screw, #8-32 x .375"
3	02554.0000	1	Cover, Top (Also order item 4)
	02336.0000	2	Screw, #4-40 x .375"
4	00833.0000	1	Decal, POUR IN WATER ONLY
5	02551.0000	1	Housing, Main (Also order item 6)
6	00657.0002	1	Decal, BUNN HOT WATER
7	02497.0001	1	Drip Tray Kit (Includes items 8 thru 10)
8	02572.0000	1	Cover, Drip Tray
9	02571.0000	1	Drip Tray
10	02547.0000	4	Foot, Rubber
11	00917.0000	8	Clip, "J" Type #8-32
12	28923.0000	1	Panel W/Decal (Includes item 13)
	01311.0000	4	Screw, #8-32 x .25"
13	00831.0000	1	Decal, ELECTRICAL WARNING
14	02556.0000	1	Panel, Lower Rear (OHW only)
	02556.0002*	1	Panel, Lower Rear (OHWA only)
	01311.0000	4	Screw, #8-32 x .25"
15	00824.0000	1	Decal, GROUND
16	25137.0002	4	Foot
	00970.0000	4	Nut, Keps #8-32
17	37881.0000	1	Decal, No Serviceable Parts
18	37881.0002	1	Decal, No Serviceable Parts



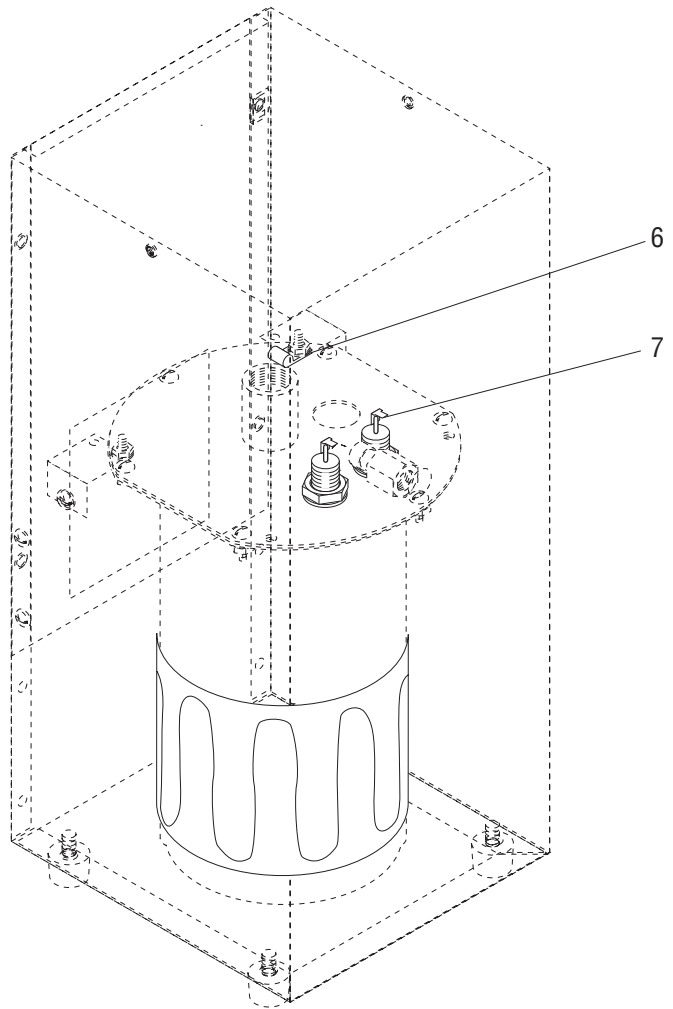
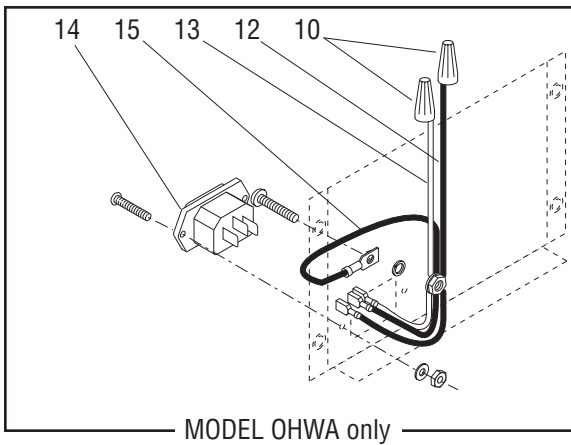
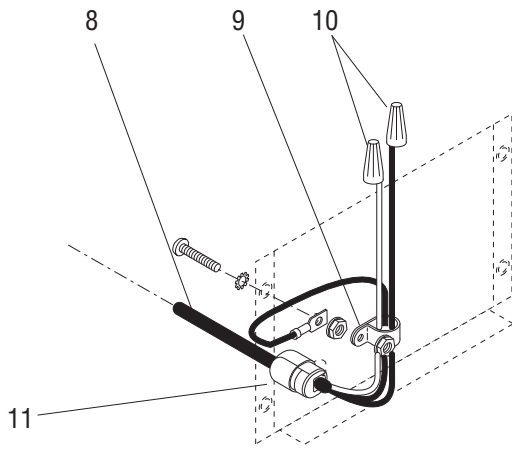
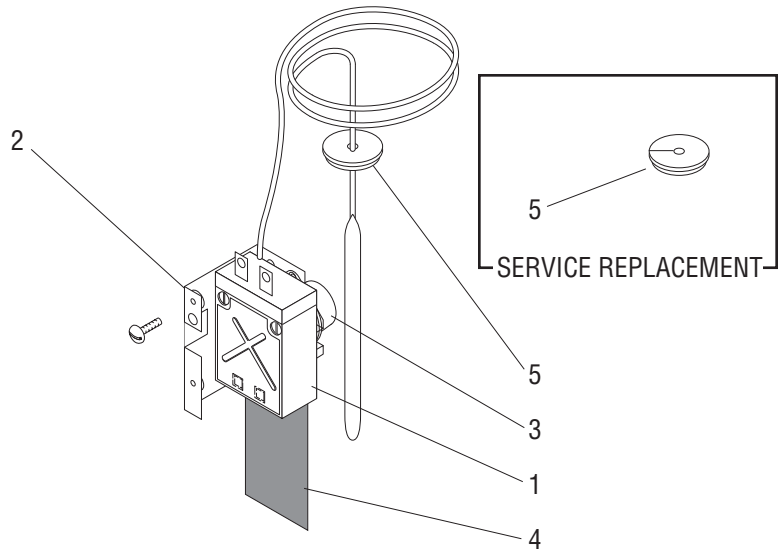
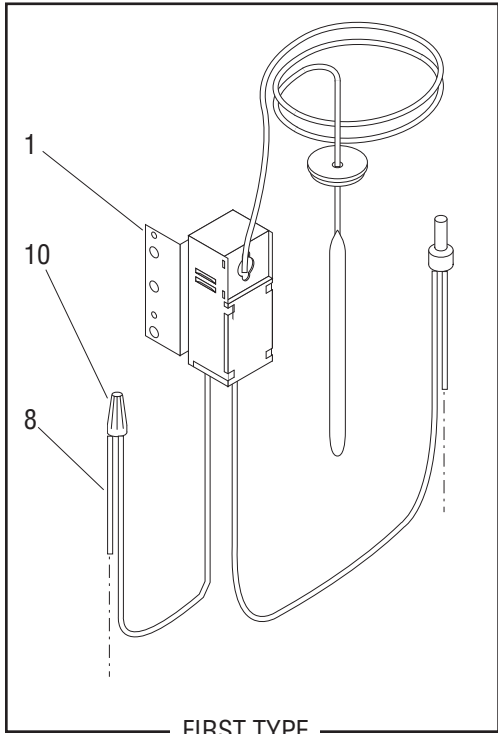
TANK AND COMPONENTS

ITEM	PART NO.	QTY.	DESCRIPTION
1	04928.0000	1	Lid, Tank
	01380.0000	6	Screw, #6-32 x .50" } Early Models
	00973.0000	6	Nut, KEPS #6-32 }
	02337.0002	6	Screw #10 x .50" (Late Models)
2	04844.0000	1	Gasket, Tank Lid
3	00942.0000	2	Nut, Tank Heater .50"-20
4	00943.0000	2	Gasket, Tank Heater
5	04144.1000	1	Tank Heater Kit, 120V (OHW only. Includes item 4)
	04174.1000	1	Tank Heater Kit, 240V (OHWA only. Includes item 4)
6	-----	1	Bracket,Left (Early Models)
	39460.0000	1	Bracket,Left (Late Models)
	01311.0000	1	Screw, #8-32 x .25" (Second Type)
	00970.0000	1	Nut, KEPS #8-32 (Second Type)
	01311.0000	2	Screw, #8-32 x .25" (First Type)
7	-----	1	Bracket,Right (Early Models)
	39460.0000	1	Bracket,Right (Late Models)
	01311.0000	1	Screw, #8-32 x .25" (Second Type)
	00970.0000	1	Nut, KEPS #8-32 (Second Type)
	01311.0000	2	Screw, #8-32 x .25" (First Type)
8	35430.0000	1	Tank
9	02575.0000	1	Blanket, Warmer, 40W 120V (OHW only)
	01929.0000	1	Blanket, Warmer, 34W 240V (OHWA only)



FILL BASIN AND FAUCET

ITEM	PART NO.	QTY.	DESCRIPTION
1	01212.0001	1	Fitting, Inlet
2	01201.0000	1	Gasket
3	02558.0000	1	Basin, Fill
4	04238.0000	1	Pitcher 64oz
5	27574.0000	1	Washer, Faucet Seal
6	02850.0000	1	Nut, Faucet Jam
7	02596.1009	1	Faucet Assy. (Includes items 6 thru 14)
8	02861.0003	1	Handle (Red)
9	02858.0000	1	Pin, Spring
10	02854.0000	1	Bonnet
11	02595.0000	1	Spring
12	13054.0000	1	Stem
13	02766.0000	1	Cup
14	02856.0008*	1	Body (Not Saleable. Order item 7)
15	28706.0002	-	Kit, Faucet Repair (Includes items 8,9 and 11 thru 13)
16	02594.0000	-	Faucet Stem W/Pin (Includes items 9 and 12)



ELECTRICAL AND OPERATING CONTROLS

ITEM	PART NO.	QTY.	DESCRIPTION
1	-----	1	Thermostat Assy (First Type. Order Second Type Kit)
	28213.0001	1	Thermostat Kit (Second Type. Includes items 2 thru 5)
	02308.0000	2	Screw, #8-32 x .375"
2	28195.0000	1	Bracket, Mounting
	20762.0000	2	Screw, #8-32 x .25"
3	00720.0000	1	Knob
4	10003.0000	1	Tag, Instruction
5	07073.0001	1	Grommet
6	41760.0000	1	Clamp, Thermostat Probe
7	-----	1	Tank Heater (See TANK AND COMPONENTS)
8	01637.0000	1	Power Cord
9	00603.0000	1	Clamp, Cable
	01317.0000	1	Screw, #8-32 x .50"
	01511.0000	1	Lockwasher, Ext. Tooth #8
	00970.0000	2	Nut KEPS, #8-32
10	01668.0000	2	Wire Nut
11	00707.0000	1	Bushing, Strain Relief
12	21000.0070	1	Lead, Black 3.5" (OHWA only)
13	21003.0002	1	Lead, Red 3.5" (OHWA only)
14	01908.0000	1	Power Connector (OHWA only)
	01362.0000	2	Screw, #4-40 x .50"
	01509.0000	2	Lockwasher, #4
	00937.0000	2	Nut, #4-40
15	21016.0034	1	Lead, Green/Yellow 3.5" (OHWA only)
	01375.0000	1	Screw, #10-32 x .50"
	01512.0000	1	Lockwasher, #10-32
	00909.0000	1	Nut, #10-32
The following items are not illustrated			
16	21000.0552	1	Lead, Black 9.0" Thermostat to Power Cord
17	28238.0000	1	Harness (Includes items 18 and 19)
18	02573.0001	1	Lead, Thermal Cut-off, Black, Tank Heater to Thermostat
19	02574.0000	1	Lead, Thermal Cut-off, White, Tank Heater to Power Cord (OHWA only)
20	21130.0000	1	Lead, Thermal Cut-off, Red, Tank Heater to Power Cord (OHWA only)
21	06064.0000	1	Decal, Cord Warning (OHWA only)

NUMERICAL INDEX

PART NO.	PAGE NO.	PART NO.	PAGE NO.	PART NO.	PAGE NO.	PART NO.	PAGE NO.
00603.0000.....	11	02858.0000.....	9				
00657.0002.....	5	02861.0003.....	9				
00707.0000.....	11	04144.1000.....	7				
00720.0000.....	11	04174.1000.....	7				
00725.0000.....	5	04238.0000.....	9				
00824.0000.....	5	04844.0000.....	7				
00831.0000.....	5	04928.0000.....	7				
00833.0000.....	5	06064.0000.....	11				
00909.0000.....	11	07073.0001.....	11				
00917.0000.....	5	10003.0000.....	11				
00937.0000.....	11	13054.0000.....	9				
00942.0000.....	7	20762.0000.....	11				
00943.0000.....	7	21000.0070.....	11				
00970.0000.....	5,7,11	21000.0552.....	11				
00973.0000.....	7	21003.0002.....	11				
01201.0000.....	9	21016.0034.....	11				
01212.0001.....	9	21130.0000.....	11				
01311.0000.....	5,7	25137.0002.....	5				
01315.0000.....	5	27574.0000.....	9				
01317.0000.....	11	28195.0000.....	11				
01362.0000.....	11	28213.0001.....	11				
01375.0000.....	11	28238.0000.....	11				
01380.0000.....	7	28706.0002.....	9				
01509.0000.....	11	28923.0000.....	5				
01511.0000.....	11	35430.0000.....	7				
01512.0000.....	11	37881.0000.....	5				
01637.0000.....	11	37881.0002.....	5				
01668.0000.....	11	39460.0000.....	7				
01908.0000.....	11	41760.0000.....	11				
01929.0000.....	7						
02308.0000.....	11						
02336.0000.....	5						
02337.0002.....	7						
02497.0001.....	5						
02547.0000.....	5						
02551.0000.....	5						
02554.0000.....	5						
02556.0000.....	5						
02556.0002.....	5						
02558.0000.....	9						
02564.0002.....	5						
02571.0000.....	5						
02572.0000.....	5						
02573.0001.....	11						
02574.0000.....	11						
02575.0000.....	7						
02592.0000.....	5						
02594.0000.....	9						
02595.0000.....	9						
02596.1009.....	9						
02766.0000.....	9						
02850.0000.....	9						
02854.0000.....	9						
02856.0008.....	9						