

Easy Clear® Hot or Cold Water Quality Filtration System



Model EDSS-11-T200F
Water Quality System

Features

In-Line (EDSS-11-T200F) Hot Water Quality Filtration Systems

- Designed for BUNN liquid coffee machines supplied with hot water.
- Provides 2,500 gallons of superior sediment, taste/odor and chlorine reduction @ 2 gpm.
- 5 micron graded density filtration for long life.
- Perfectly sized to ensure quality coffee and long-term performance.
- Stainless steel housings assure reliable performance in high temperature or pressure applications.
- In-line units have 316 stainless steel heads with 304 stainless steel housings, rated to 300 psi (2,069 kPa) for durability.
- Hot and cold water applications*
- Rigid construction of the stainless steel housing provides durability and withstands extreme water hammer.

For current specification sheets and other information, go to www.bunn.com.

**Tested for hot water applications up to 200° F (93° C).*

Related Products

Warranty: BUNN warrants the Easy Clear® hardware (excluding cartridges) to be free from defects in materials and workmanship for 1 year from the date of installation. See service manual for complete warranty statement.



Model

Agency Listing

EDSS-11-T200F

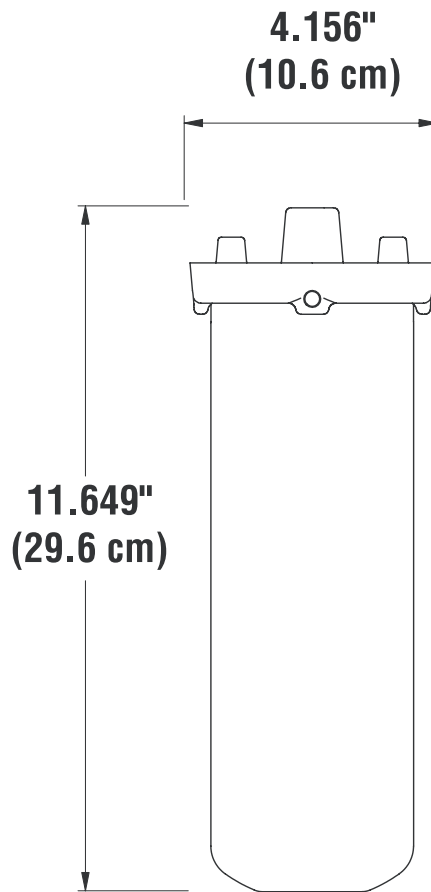


Model	Product #	Flow Rate & Capacity
Systems		
EDSS-11-T200F (1)	30370.1000	2 gpm/2,500 gals.
EDSS-11-T200-1 (4/cs)	30370.0000	2 gpm/2,500 gals.

Cartridge Only		
ED-T200F-1 (1)	30370.1001	2 gpm/2,500 gals.
ED-T200F-1 (6/cs)	30370.0001	2 gpm/2,500 gals.

Replaces	Chlorine	Taste	Scale	Sediment
n/a	•	•		•
n/a	•	•		•

Note: Connections to be either 3/4" NPT horizontal or 3/8" NPT vertical.



EDSS-11-T200F