



ITEM# _____

PROJECT _____

DATE _____

Easy Clear® Water Softening System for Tea



Model EQHP-Tea
Water Quality System

Features

Easy Clear High Performance Water Quality System for Tea

- Perfect for iced or hot tea brewers where hard water can affect tea clarity and taste.
- Increases tea stand time.
- Provides 4,350 grains of hardness reduction.
- Minimizes service maintenance and equipment downtime with reduced scale forming minerals.
- System includes a head assembly, integral mounting bracket and single cartridge filter.
- Patented Quick Connect valve-in design simultaneously shuts off and vents water with 1/4 turn, allowing for simple and trouble-free cartridge change-outs.
- Integrated carbon block media to reduce taste and odor.
- 3/8" FNPT horizontal inlet and outlet ports allow direct or easily adaptable connections to existing plumbing lines.
- System maximum operating pressure is 100 psi (689 kPa) and operating temperature 100°F (38°C).

For current specification sheets and other information, go to www.bunn.com.

Related Products

Warranty: BUNN warrants the Easy Clear® hardware (excluding cartridges) to be free from defects in materials and workmanship for 1 year from the date of installation. See service manual for complete warranty statement.

Replacement Cartridge
EQHP-TEACRTG
Product No.: 39000.1007

Valve In-Head Assembly
EQHP-VHD
Product No.: 39000.1000

Gauge
Product No.: 39000.0100



The Effects of Hardness and Stand Time on Iced Tea Clarity



Use of an Easy Clear water softening system can dramatically improve the clarity of brewed iced tea.

Model

Agency Listing

EQHP-Tea

Dimensions & Specifications

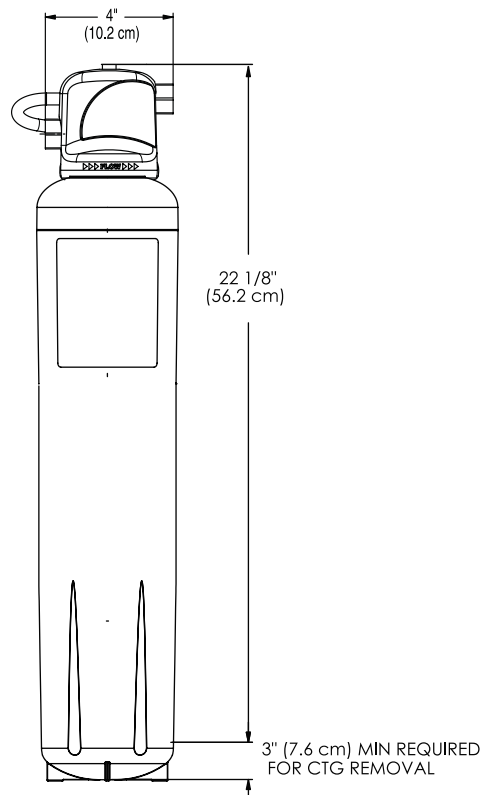
CANADA 

Model	Product #	Capacity	Service Flow Rate	Micron Rating
Softening Solutions				
39000.0007	EQHP-TEA	4,350 grains	1 gpm	5 (nominal)

Note: Inlet and outlet plumbing connections are 3/8" FNPT.

Do I need a water softening system?

BUNN recommends that a water softening system be used when 10 grains per gallon (gpg) or more of hardening minerals are present in your water supply.



When do I need to replace my cartridge?

Cartridge Replacement Chart	Incoming Water Hardness			
	10 gpg (171 ppm)	15 gpg (256 ppm)	20 gpg (342 ppm)	25 gpg (427 ppm)
Number of 3 Gallon Brews	145	97	73	58

Bunn-O-Matic Corporation of Canada - 280 Industrial Pkwy. S. Aurora, Ontario L4G 3T9 • 905-841-2866 • Fax 905-841-2775 • www.bunn.com

BUNN® practices continuous product research and improvement. We reserve the right to change specifications and product design without notice. Such revisions do not entitle the buyer to corresponding changes, improvements, additions or replacements for previously purchased equipment.

All dimensions shown in inches. Bunn Corporation owns all copyrights relating to materials in this publication. Please contact Bunn Corporation to request permission to reproduce any portion of this publication.